

115 REBOUNDBLE GUIDE PADDLE

Code: VF-115

We have taken road safety
to the next level!

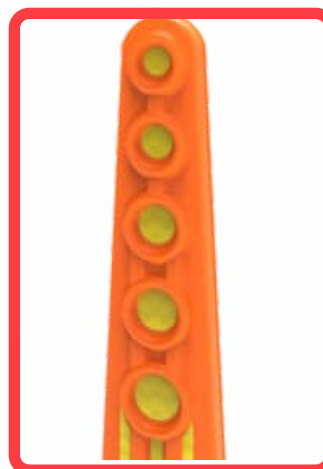
REBOUNDBLE GUIDE PADDLE WITH AN OPTIMAL HEIGHT

- Designed to provide outstanding visibility both day and night, this guide paddle features an elevated profile and high-performance reflective elements that ensure clear recognition at long distances
- Its structure enhances early detection of warnings or traffic indications, even in low-light environments
- The overall design maximizes visibility, allowing drivers to quickly identify changes in the roadway or the presence of potential hazards



Features

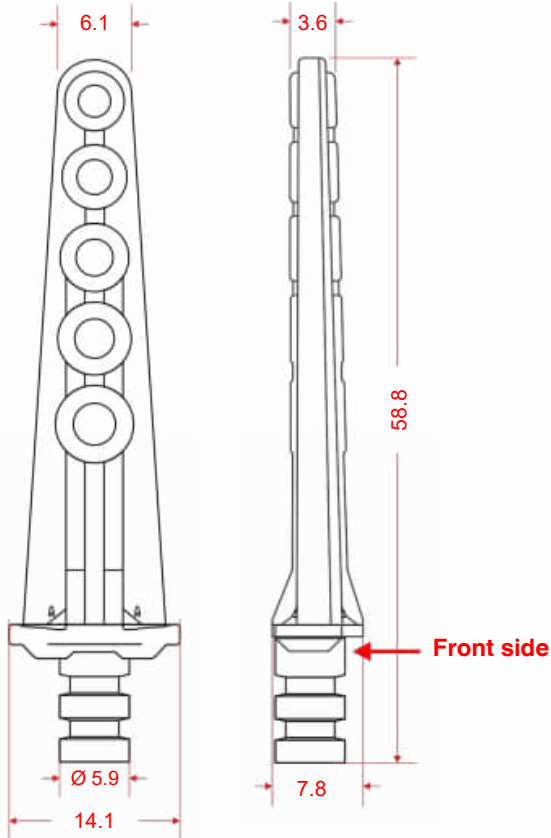
- Manufactured from UV-protected **orange Poliflexy®**, it withstands extreme weather and ensures a long service life with minimal upkeep
- This **solid, monolithic design delivers exceptional resistance** to impacts, vibration, and environmental exposure, maintaining its structural integrity under heat, humidity, and UV radiation
- The base includes **four reinforcement gussets** that strengthen the body and improve impact absorption during vehicle collisions
- Equipped with **five reflective discs** on both sides, it provides excellent visibility at night or in low-visibility environments.
- Suitable for **embedded** installation or use with a **heavy portable base**
- Perfect for detours, temporary works, and **high-risk areas** that demand reliable and durable traffic signaling



115 REBOUNDABLE GUIDE PADDLE

Code: VF-115

Dimensions and other measurements are nominal and may vary by $\pm 2\%$



Dimensions are in inches

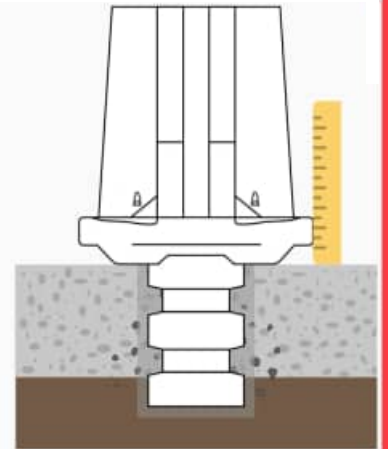
Dimensions

Overall dimensions	Height: 49.2 in Base: 19 × 18.5 in
Reflective elements:	5 discs arranged in a straight line
Reflective color:	Amber or white
Approx. weight:	23.7 lb

Anchoring instructions

1. Mark the exact point where the paddle will be installed. Drill a 7"-diameter hole with a depth of 10 ½" using a post hole digger or an appropriate tool.
2. Insert the paddle base into the hole and pour concrete or mortar so the mix conforms to the base as it sets.
3. Verify verticality and level with a spirit level to ensure a stable and accurate installation.
4. Remove any excess mixture and clean the surface for a uniform, professional appearance.

Note: Align the marker to the designated direction to ensure correct operation and visibility.



+ safety
strength

— cost