

A leader doesn't follow steps
... he marks the way

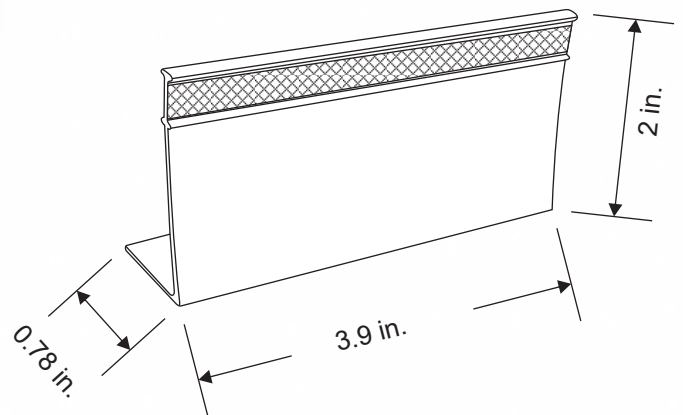
TEMPORARY ROAD STUD

V-TEM



Features

- * The modern, attractive, striking, state-of-the-art design makes it stand out under any type of pavement.
- * Its main objective is temporarily placing it to signal repairs or construction work.
- * It's a single piece, lightweight, and doesn't have sharp edges or borders. It's 100% flexible.
- * It has 1.28 in² of reflective surface.
- * Easy to install.
- * It bears hits, bumps, friction, abrasion, and the elements.



Technical specifications

- * **Measures:** Length: 3.9 in. Width: 0.78 in. Height: 2 in.
- * **Color:** Yellow
- * **Body material:** PVC
- * **Reflective material:** High Intensity reflective
- * **Reflective color:** White, yellow and red
- * **Reflective surface per side:** 1.28 in²
- * **Useful contact surface:** 7.8 in²

Volumes, dimensions, and other measures are nominal and may vary by approximately 2%.