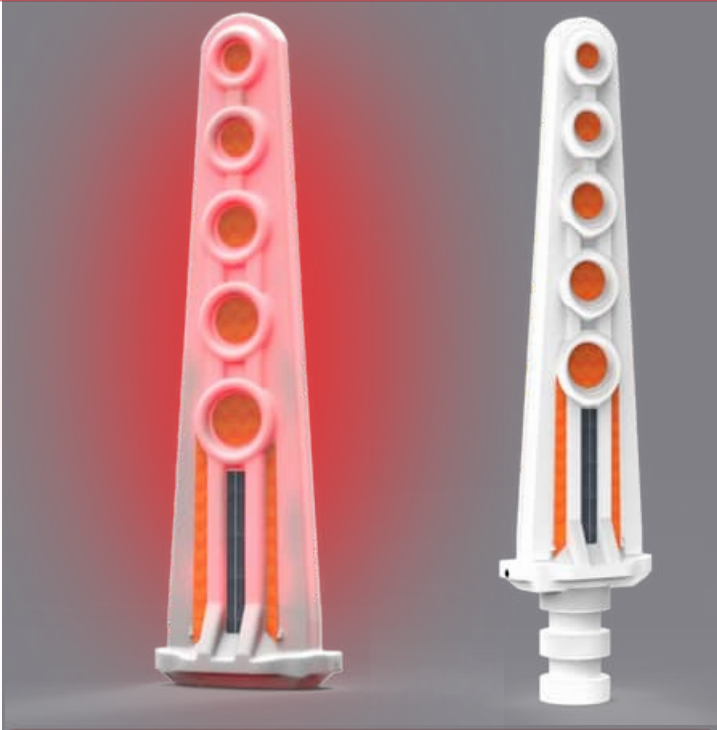


115 SOLAR-POWERED GUIDE PADDLE

Code: VF-115S



We have taken road safety to the next level!

FOR DAY AND NIGHT ILLUMINATION

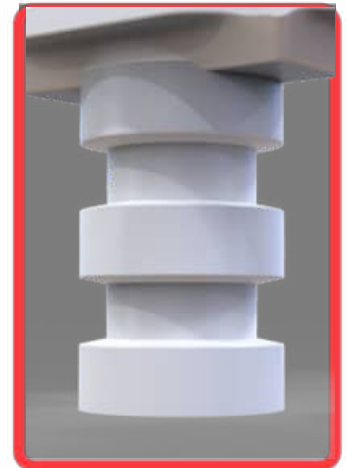
- Traffic paddle with an integrated solar-powered lighting, providing superior visibility in both day and night conditions
- The translucent body enables uniform LED light diffusion, optimizing signaling in low-visibility or high-risk areas
- Enhanced visual perception ensures drivers can detect warnings or instructions in advance
- Well-suited for detours, effectively notifying drivers of potential roadway changes

Features

- Road signaling device **manufactured from robust translucent white polymer**, designed to ensure optimal visibility during day and night via an autonomous solar-powered lighting system
- The monolithic body guarantees **superior resistance to impacts**, vibrations, and environmental factors, maintaining structural integrity under varying temperatures, humidity, and UV exposure
- The base is reinforced with **four reinforcement gussets** to enhance body connection and improve vehicular impact absorption
- Versatile: can be used as a **fixed or mobile device** on any flat surface; the mobile version allows for a weighted base for increased stability
- Ideal for demarcation and warning applications on highways, expressways, construction zones, and night-time maintenance operations.

SOLAR-POWERED SYSTEM:

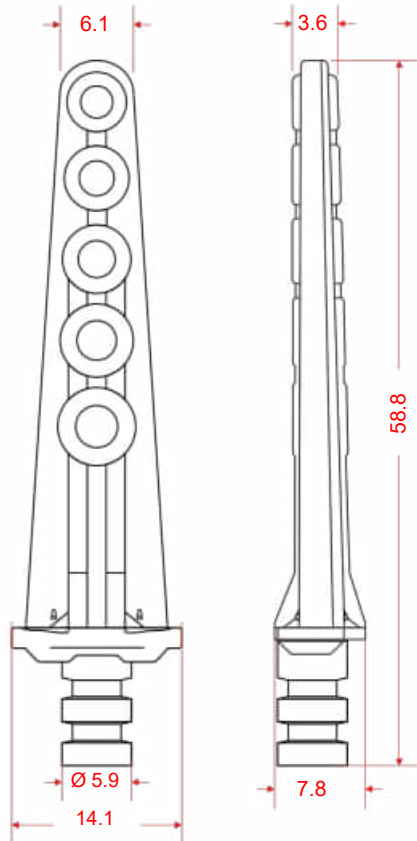
- Built-in **monocrystalline** solar panel with rechargeable internal battery
- High-performance, **ultra-bright LED** ensures optimal visibility
- **Automatic activation** at dusk via light sensor
- Resistant to UV, moisture, dust, and corrosion
- Completely **self-sufficient** operation without external power
- Low maintenance with **long-lasting illumination**
- Improves **traffic safety** in poorly lit areas



115 SOLAR-POWERED GUIDE PADDLE

Code:VF-115S

Dimensions and other measurements are nominal and may vary by $\pm 2\%$



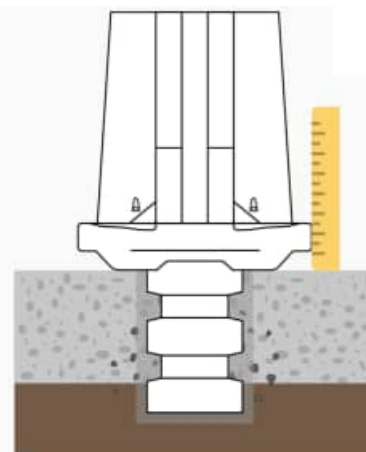
Dimensions are in **inches**

Dimensions

Overall dimensions	Height: 49.2 in Base: 19 x 18.5 in
Reflective elements:	5 discs arranged in a straight line
Reflective color:	Amber or white
Approx. weight:	23.9 lb

Anchoring instructions

1. Mark the exact point where the paddle will be installed. Drill a 7"-diameter hole with a depth of 10 1/2" using a post hole digger or an appropriate tool.
2. Insert the paddle base into the hole and pour concrete or mortar so the mix conforms to the base as it sets.
3. Verify verticality and level with a spirit level to ensure a stable and accurate installation.
4. Remove any excess mixture and clean the surface for a uniform, professional appearance.



- +** safety
- +** strength
- cost