

# Solar Traffic Drum/Rubber base

Code: TSL-112S



## 1 LED DOES THE MAGIC FOR THIS TRAFFIC DRUM

Innovative safety device designed to maximize visibility on highways and work areas. Equipped with a latest generation LED, this traffic drum allows to be seen from long distances, which is essential to prevent accidents.

Traffic drums can be lighted at the same time to a distance of 131 ft. If one fails it doesn't affect lighting sequence of others.

Manufactured in orange polyethylene of high quality, it offers durability and resistance in adverse climate conditions, including UV-ray exposure.

Improves visibility during night, increasing safety. It can be set individually or by group, ideal for their use in highways, work zones, closed paths and to delineate work areas.

### Benefits:

Increase visibility for drivers, contributing to a safer environment, besides, enables a simple and quick installation in different situations. This traffic drum is the perfect solution to improve road safety and guarantee protection in work areas.

### Features

- Used to close transit in roads due are highly visible thanks to the light that flashes.
- Traffic drum also helps to channelize circulation in a vehicle flow such as parking lots to guide transit or delineate specific zones.
- Manufactured in a single piece with top grip to manage and handle, enabling its installation.
- Stackable, reducing transportation and storage costs.
- Option to include heavyweight detachable base to improve stability by avoiding tilts caused by wind.
- Base of natural rubber and artificial rubbers used to enhance durability, and grip, in black color.
- Easy to clean and resistance to liquids and solvents.

### FLASHING LIGHTING SYSTEM WITH LUMINOUS HIGH INTENSITY

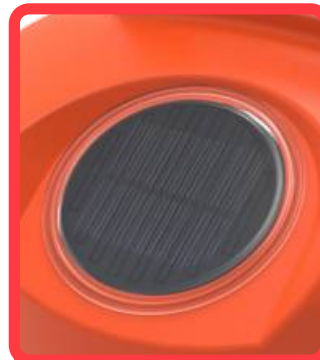
- 1 ultrabright LED of high power in red color.
- Flashing.
- Ø150mm solar cell.
- 2 rechargeable AAA batteries of 1.5V-1,300 mAh.
- JVM power supply electronic circuit that synchronizes flashing.
- 5hrs charge with 16 hours of functionality.
- Average life span of LEDs: 100,000 hrs.
- Approximate distance of LED visibility: 328 ft



Rubber base



Reflective rings



Solar cell



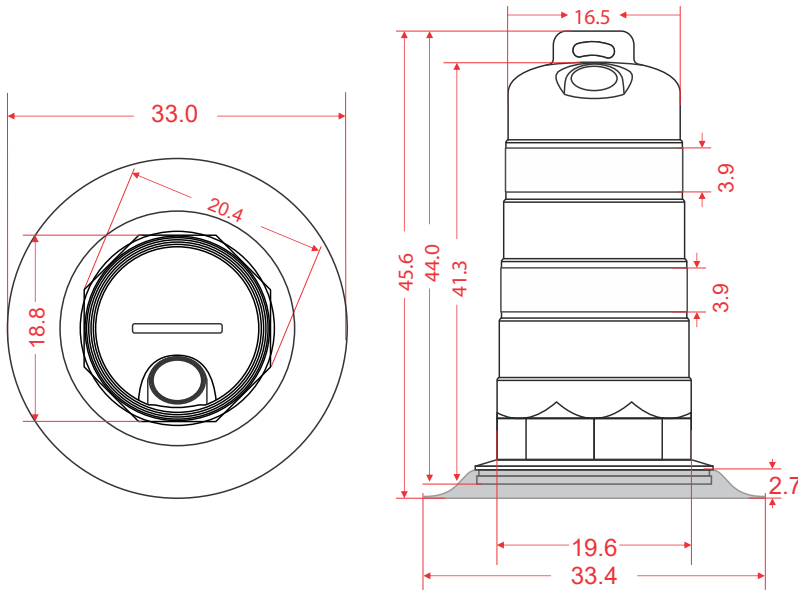
Handle to manage

# Solar Traffic Drum/Rubber base

Code: TSL-112S

Measures are nominal and may vary by  $\pm 2\%$ .

Dimensions in: in



## Measures

**Traffic drum dimensions:** Top diameter: 16.5 in  
Lower diameter: 23.2 in  
Height: 44.0 in  
Height with base: 45.6 in

**Approx. weight of traffic drum:** 7.716 lbs.

**Base dimensions:** Height: 2.7 in  
Ø 33.4 in

**Approx. weight of base:** 19.621 lbs

**Refletive mat:** 3.9 in of width, white color (preferably)

