

Solar Premium Traffic Drum 117

Code: TSLP-117S



We are on the next level !

MORE THAN A SOLAR TRAFFIC DRUM

1 latest generation ultrabright LED that makes this solar traffic drum an appealing one.

Thanks to the intensity of its LED can be seen at long distances, the solar traffic drum has a synchronized light system that allows it to illuminate at the same time at a maximum distance of 98.4 ft between elements; if one fails, it doesn't affect the sequence.

IP68 waterproof electronic system.

These devices can be set individually or by group, depending on the needs of the place and the required warning level.

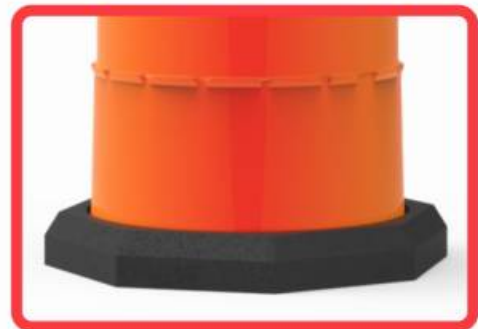
Useful to manage traffic flow and reduce risk of accidents by alerting motorists and pedestrians about potential dangers in highway, such as bumps, detours or presence of people working on avenues.

Features

- Used to close or channelize vehicle transit in roads due light with their high visibility.
- Manufactured in orange or yellow polymer in a single piece with top grip that allow an easy maneuverability and handling; creating an easier installation.
- Bumps on its body that allow to stock perfectly without damaging the solar cell, reducing transport and storage costs.
- Option to include detachable heavyweight base, to provide greater stability and avoid tilts caused by wind, manufactured in black polymer.
- Traffic drums have option to include reflective rings; these can be "A" or "B" type, as required, improving visibility of the device during night or in low light conditions, making easier the identification of dangers from a considerable distance.

FLASHING LIGHTING SYSTEM

- 1 Ultra-bright flashing LED of high power in red color.
- Solar cell of Ø150 mm.
- 2 "AAA" rechargeable batteries of 1.5 V-1,300 mAh.
- JVM power supply electronic circuit that synchronize the flashing, with all the near traffic drums.
- It charges for 5 hours with 12 hours of functionality.

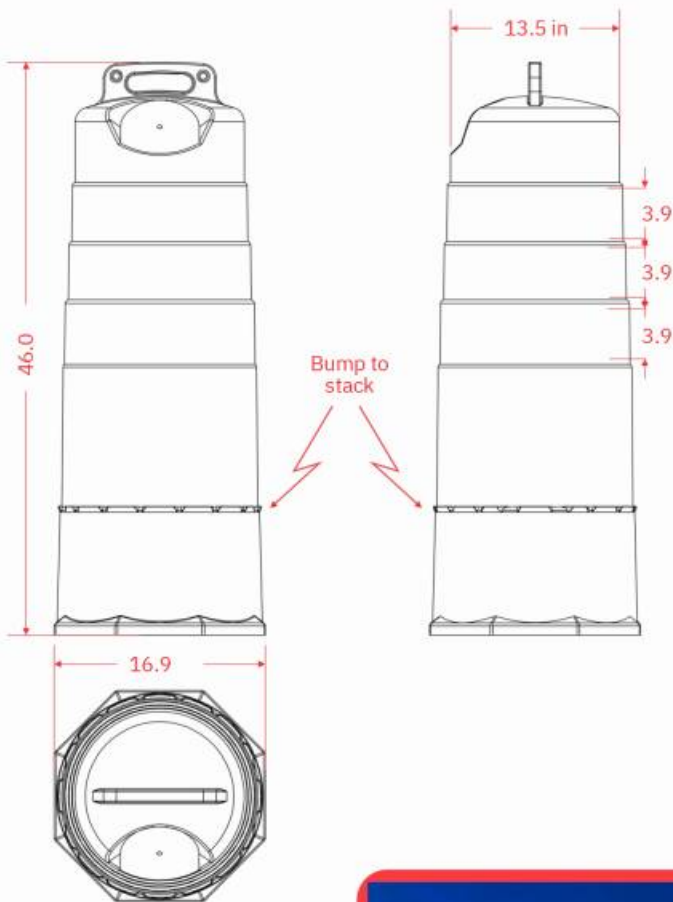


Images are illustrative

Solar Premium Traffic Drum 117

Code: TSLP-117S

Dimensions and other measures are nominal and may vary by +/- 2%.



Measures

Traffic drum dimensions:

Top diameter: 13.3 in
Lower diameter: 16.9 in
Height: 46.0 in

"A" or "B" reflective type, according to requirement:

3.9 in of height in white color (preferably)

Approx. weight of traffic drum:

5.842 lbs



Images are illustrative