

A leader doesn't follow steps
... he marks the way

ADVERTISING PARKING STOP

TPES-P-184

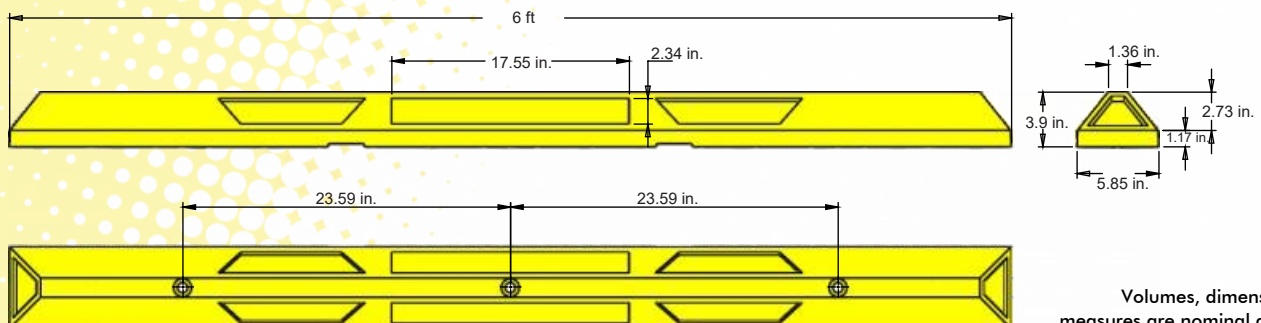


Features

- Advertising parking stop.
- Made for restricted areas, exclusive lanes, etc.
- It's perfect to use in underground parking lots due to its reflective area.
- UV protection.
- The sloped sides avoid water accumulation.
- The advertisement area of 17.55 in. × 2.34 in. with high intensity reflective makes it visible day and night (optional).
- Three holes for its anchorage.
- Easy to install through steel anchors (not included).
- The advertisement area of the parking stop offers you an excellent strategy for a space to publicize your business or store.

Technical specifications

Made of: High-density polyethylene.
Weight: 12.58 lb.
Measures: Length: 6 ft Height: 3.9 in. Width: 5.85 in.
Pressure resistance: 142,200 lb. × in².
Colors: Yellow or black.



Volumes, dimensions, and other measures are nominal and may vary by approximately 2 %