

# Tacket-Washer-Screw Set

Code: JGO-TAQ-PIJ

Measures are nominal and can vary, between +- 2%.  
All in inches and pounds.

Leader don't follow steps  
... marks the way



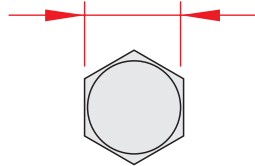
Ø 3/8"



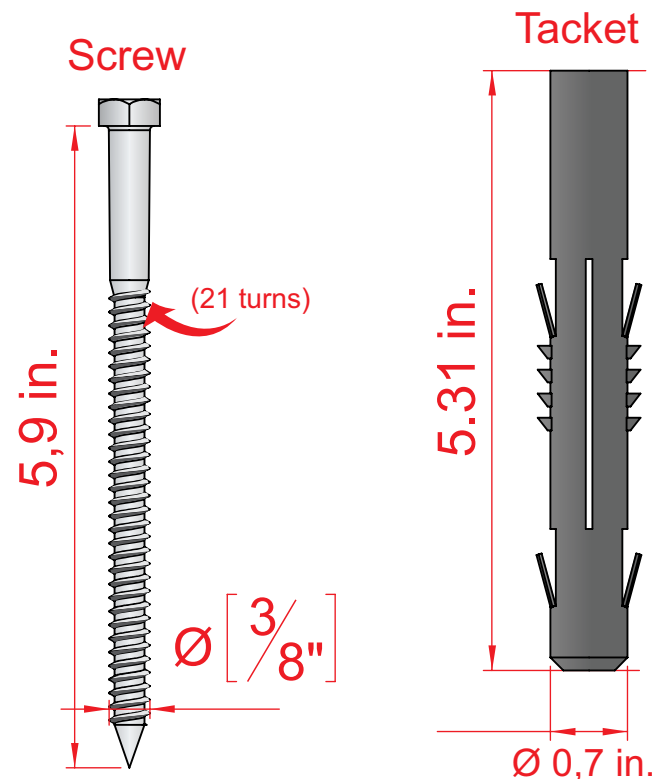
Washer

Hexagonal head screw

$\left[ \frac{9}{16} \right]$



Top view



## FIXING TRAFFIC ITEMS ON ASPHALT ?

- The Tacket-Washer-Screw Set is an **anchorage system** for fix traffic items on asphalt and cement floors.

### “ULTRAFIX”: SCREW

- Manufactured out in galvanized steel.
- HEAD: Hexa 9/16"
- BODY: Ø 3/8"x 5.9" length.
- WASHER
- Galvanized steel plane washer Ø 3/8".

### “EXTRALARGE” TACKET:

- Made out in polypropylene.
- Is a unique model on market.
- Measure:
- Exterior diameter Ø 0.7 x large 5.31 in.
- Apply epoxic resin for better results.