

# Traffic Drum with Light

Code: TSP-120-LUZ



Comply with NOM-086-SCT2-2022

## Features

- Generally used to close or channel vehicle transit in roads for a higher visibility thanks to the light that beams.
- Traffic drum, in addition, help to channelize circulation inside a vehicle flow, such as parking lots to guide transit or delineate specific zones.
- Manufactured in a single piece with top grip for an easy handle, making an easier installation.
- Stackable, reducing transport and storage costs.
- Option to have a detachable heavyweight base of 13.2 lbs for a greater stability to avoid tilts caused by wind.
- Base manufactured in black polyethylene, it includes a handle to carry, full of sand helps to the support of traffic drum.
- Easy to clean, resistant to liquids and solvents.

## FLASHING LIGHTING SYSTEM WITH HIGH LUMINOUS INTENSITY

- 1 ultrabright LED of high power in red color.
- Flashing.
- Solar cell of Ø150mm.
- 2 "AAA" rechargeable batteries of 1.5 V-1,300 maH.
- JVM power supply electronic circuit that synchronizes the flashing with all the nearby traffic drums.
- 5 hours charging give 16 hours of functionality.
- Lifespan of LEDs: 100,000 hrs.
- Approximate visibility distance of LED: 328 ft

A leader doesn't follow.  
marks the way...

## 1 LED FOR THE MAGIC OF THE TRAFFIC DRUM

1 ultrabright LED of latest generation transforms into an appealing solar traffic drum.

Thanks to the LED light intensification can be seen at long distances, the solar traffic drum has a synchronized light system that allows to illuminate many traffic drums together at a maximum distance of 131 ft, between elements; if one fails, it doesn't affects the sequence.

IP68 Waterproof electronic system.

Manufactured in orange or yellow color polyethylene of the highest quality, a long durability thanks to their resistance to inclemency and UV rays.

Option to include reflective rings to increase visibility during night.

Ideal to use in highways, prevent motorists from accidents, works, road closed, delineate work areas, etc.

Nestable devices, easy to transport and store.



Base with grip to move



Reflective rings



Solar Cell



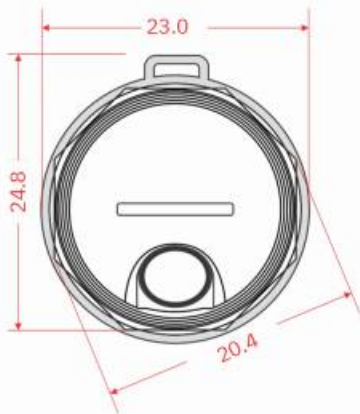
Grip to handle

# Traffic Drum with Light

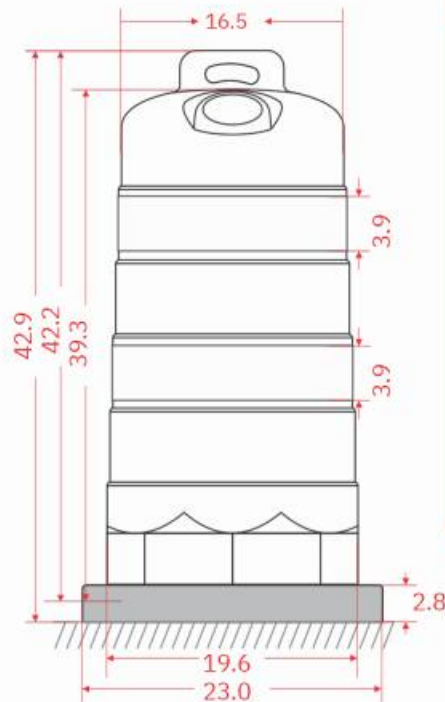
Code: TSP-120-LUZ

Measures are nominal and may vary by  $\pm 2\%$ .

Dimensions in: in



Lower View



Front View

## Measurements

<b>Traffic Drum Dimensions:</b>	Top Diameter: 16.5 in Lower Diameter: 19.6 in Height: 42.2 in Height with base: 42.9 in
<b>Base Dimensions:</b>	Height: 2.8 in Ø 23.0 in
<b>Reflective Sheeting:</b>	3.9 in of height, white color (preferably)
<b>Approx. Weight of traffic drum:</b>	7.716 lbs
<b>Approx weight of base:</b>	13.227 lbs

**Almost obligatory in work zones without public lighting**

