

A leader doesn't follow steps  
... he marks the way

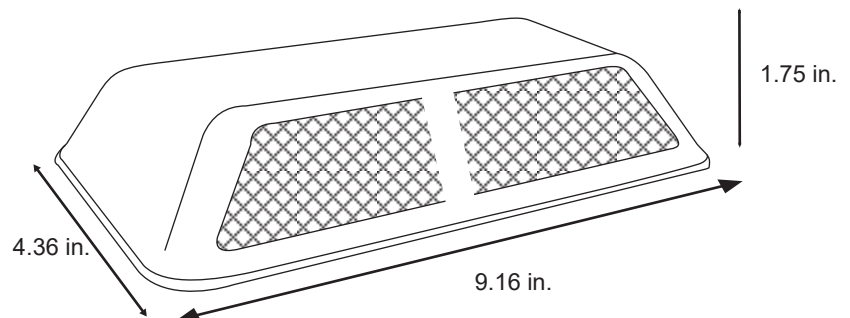
# STAINLESS STEEL SUPER ROAD STUD WITH PRISMS

## TP-45



### Features

- \* High resistance to impacts and bumps.
- \* It's perfect for pedestrian crossings, road junctions, turns, and delimiting parking lots.
- \* UV protection and weather resistance.
  
- \* Easy to install.
- \* Red acrylic reflective.
- \* Its high resistance and long working life make it an excellent speed bump product.
- \* Bolt (optional).



### Technical specifications

- \* **Made of:** Stainless steel.
- \* **Color:** Natural.
- \* **Measures:** Length: 9.16 in. Width: 4.32 in. Height: 1.75 in.
- \* **Reflectives:** Optical prisms of PMMA. Amber or red.
  
- \* **Reflective color:**
- \* **Angle of inclination of the reflective:** 27.5°
- \* **Reflective surface:** 30.95 cm<sup>2</sup>.
- \* **Useful contact surface:** 32.68 in<sup>2</sup>.