

A leader doesn't follow steps
... he marks the way

STAINLESS STEEL SUPER ROAD STUD WITH SPHERES

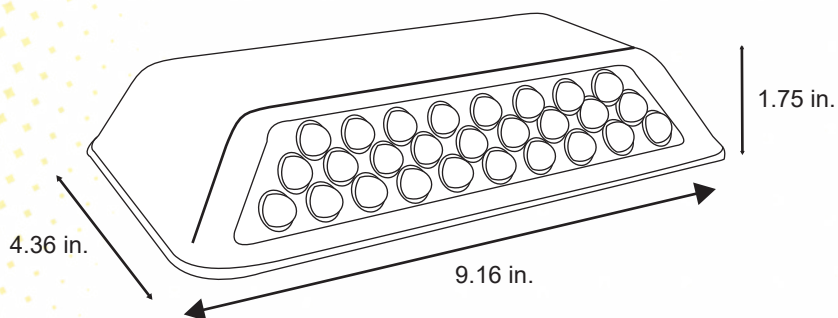
TP-235



Features

- * High resistance to impacts and bumps.
- * The design forces a full stop.
- * It's perfect for pedestrian crossings, checkpoints, road junctions, turns, and delimiting parking lots.
- * UV protection and weather resistance.

- * Easy to install.
- * Bolt (optional).
- * It has 27 spheres of \varnothing 0.39 in. spread over three rows.



Technical specifications

* Made of:	Stainless steel.
* Color:	Natural.
* Measures:	Length: 9.16 in. Width: 4.32 in. Height: 1.75 in.
* Reflectives:	27 spheres.
* Angle of inclination of the reflective:	27.5°.
* Reflective surface:	5 in ² .
* Useful contact surface:	32.68 in ² .