

# TOTEM-170

Code: TTM-170

A leader doesn't follow,  
marks the road...



## WHAT'S A TOTEM 170?

Totem to sign in indoors and outdoors.

Visually conspicuous.

## WHAT IS THE TOTEM 170 USED FOR?

Attracts to a greater number of people.

## APPLICATIONS

Malls, government buildings, stadiums, schools, airports, hotels, museums, medians, avenues, etc.

## Features

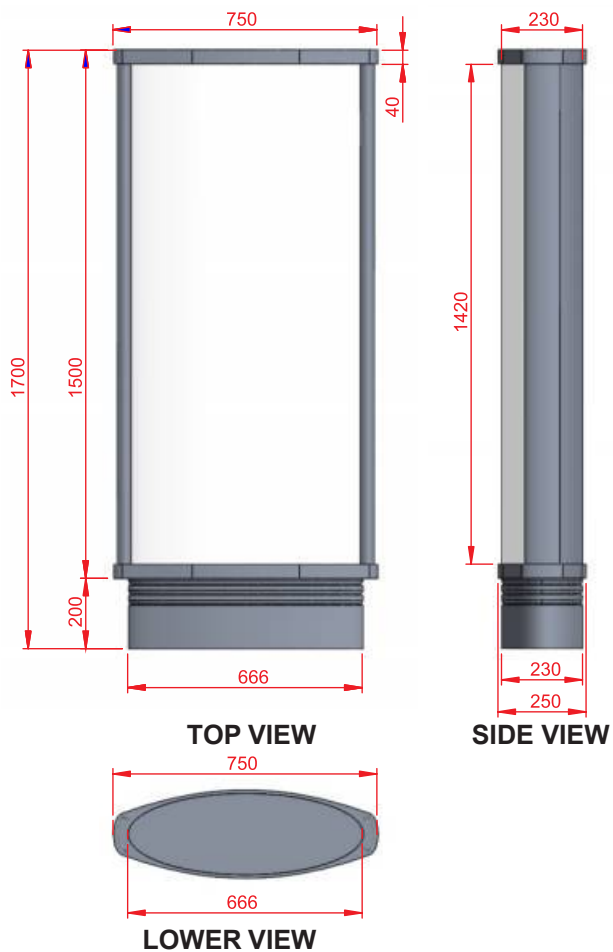
- Appealing oval design.
- Set for a vertical position.
- Manufactured in polyethylene through blow-process.
- With add space in one side (two sides, optional).
- Easy installation, anchor to floor with anchors and screws on lower part.
- Use for indoors and outdoors.
- When installed in outdoors, we offer the option of include an inner led lighting system powered by solar cells installed on top part of totem, with batteries to store energy.



# TOTEM-170

Code: TTM-170

Dimensions and other measures are nominal, and may vary by +/- 2%.



Dimensions in: mm

## Measures

### Total

Superior length: 29.5 in  
Lower length: 26.2 in  
Width: 9.0 in  
Height: 66.9 in

### Advertising area in every side:

27.1 x 55.9 in

