



We have taken road safety  
to the next level!

## WHAT IS A TWO-WAY ARROW SIGN?

- This device provides an exceptional, energy-efficient solution to improve roadway safety.
- Operates on solar energy, ensuring autonomy and energy savings without cables or external power connections.
- Can function individually or in coordination with multiple units. When several units are installed, they synchronize automatically, enhancing visibility and effectiveness.
- Ideal for areas with fog, rain, or other adverse weather conditions, providing reliable and long-lasting performance.
- This device provides consistent, effective protection while promoting efficient resource use through solar energy.
- 2-year warranty against hidden defects or manufacturing flaws.

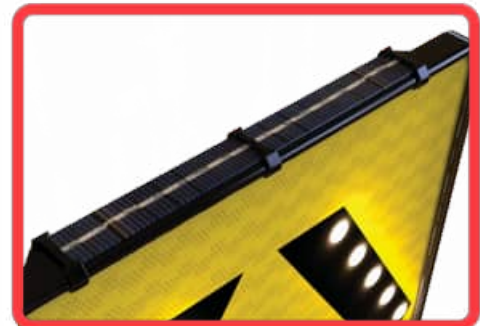
Complies with NOM-034-SCT2/SEDATU-2022 Standard

## Features

- Lightweight body manufactured from high-strength black polymer, molded as a single piece.
- Resistant to weather and temperature changes, with UV protection for long-lasting performance.
- Corrosion-free construction ensures a long service life.
- 100% recyclable.
- Stackable design reduces transport and storage costs.
- Mounted on a 2" x 2" reinforced Postiflex® post, ensuring quick installation and exceptional durability against vandalism.
- Prismatic yellow reflective background with a black vinyl double arrow, pointing left or right according to traffic flow.
- The plastic construction discourages theft due to its low resale value and specialized use.
- Built with durable materials and a robust design to withstand vandalism and harsh environmental conditions

## LIGHTING SYSTEM

- Solar-powered panel measuring 1.5 x 15 in.
- 24 amber LEDs with conical optics, optimizing light distribution on the double arrow to indicate traffic flow.
- Two 1.5 V batteries.
- JVM electronic power circuit synchronizes the flashing of multiple arrows simultaneously.
- Fully recharges in 6 hours of sunlight and provides up to 24 hours of flashing operation.

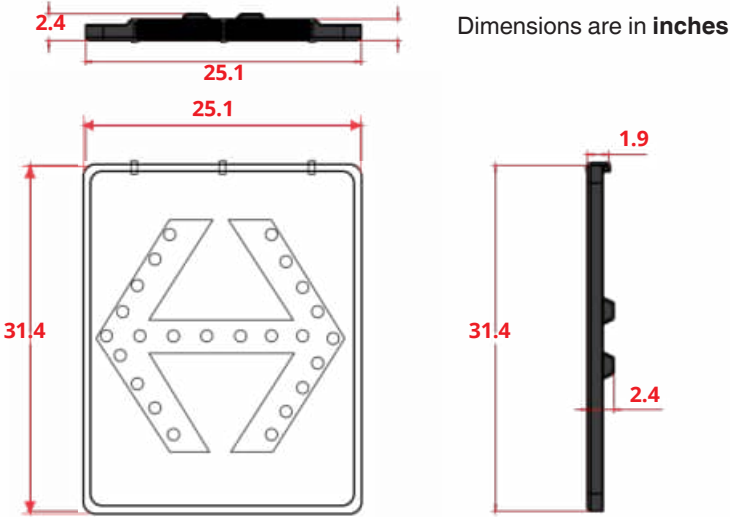


1.5" x 15.7" photovoltaic panel mounted on the upper part of the signal

# GLOBAL FORTE SIGN ROAD SPLIT

Code: FLECHA D-S

Dimensions and other measurements are nominal and may vary by  $\pm 2\%$



Lightweight and easy to install, it's designed to prevent damage to vehicles and injury to people

## Dimensions

<b>Overall dimensions:</b>	Length: 25.1 in Width: 2.4 in Height: 31.4 in
<b>Signal dimensions:</b>	Length: 23.6 in Height: 29.9 in
<b>Reflective material:</b>	Prismatic
<b>Reflective sheeting color:</b>	Yellow, with arrow in black opaque vinyl

