

140 TRENCH COVER

Code: CSI-140



True leaders do not follow
...they lead the way

WHAT IS A TRENCH COVER?

Durable devices designed to be placed on asphalt surfaces, providing safe coverage over trenches, deep potholes, and utility excavations such as electrical, telephone, water, or gas lines.

It also works as a speed reducer.

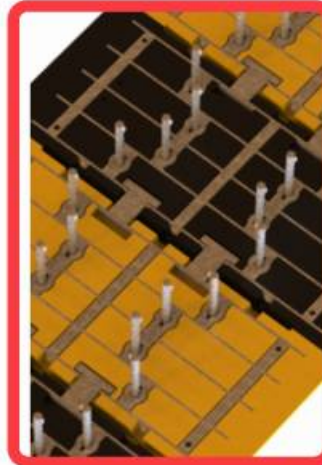
Primarily recommended for the temporary covering of utility duct excavations in public works projects.

Features

- Its modular design makes it unique in the market.
- It is versatile, as it can be adapted to the desired lengths.
- Beyond its main purpose of covering trenches, it also functions as an effective speed hump.
- Made of polyethylene, a material that does not damage vehicles or pedestrians, and also makes it highly impact-resistant.
- Reinforced steel structure that enhances its strength and durability under vehicle traffic.
- Raised rumble patterns provide non-skid properties.
- Optimal height that does not come into contact with the underside of the vehicle.
- Each module includes 4 steel locking rods that facilitate handling during installation; these rods also serve as anchors to secure the unit in place and can be adjusted to fit trenches 15.7 in. to 23.6 in. wide.
- It can be permanently installed using $\varnothing \frac{3}{8}$ in. x 5.9 in. Ultrafix hex head screws and $\varnothing 0.7$ in. x 5.5 in. and extra-long anchor plug.
- Permanent colors integrated into the plastic; durable black and yellow with UV protection.
- Optional arrow-shaped reflective areas on each module enhance nighttime visibility.
- Option to include a LED lighting system using solar-powered road studs, assisting drivers with improved nighttime visibility.

ELECTRONIC SYSTEM

- Smart solar-powered road stud.
- Equipped with a high-efficiency solar panel and electronic system for optimal energy performance.
- Amber LEDs ranging from 4180 to 6000 mcd with a 30° viewing angle, ensuring effective visual signaling.
- Transparent Blue LEDs (alternative configuration):
- Blue LEDs with brightness from 2130 to 4800 mcd and a 30° viewing angle.
- Flashing frequency: 3 Hz.
- Exclusive system for speed reducers.
- This road stud is not suitable for standalone use, as the optical design of the acrylic lenses is engineered to perform efficiently only when installed within speed humps.

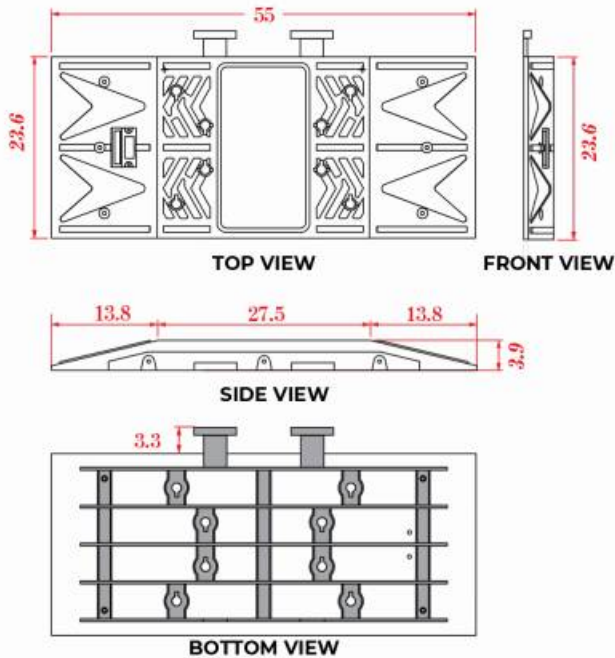


To handle the unit, remove the locking pins, rotate, and insert a rod

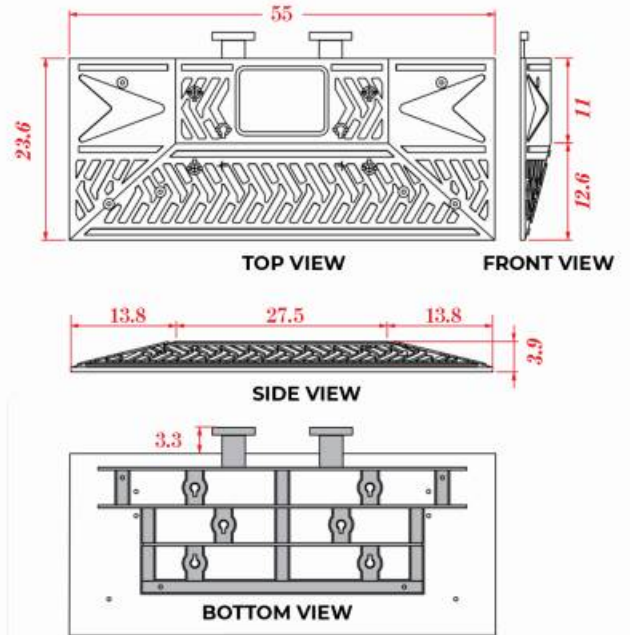
140 TRENCH COVER

Code: CSI-140

CENTRAL MODULE



END CAP MODULE



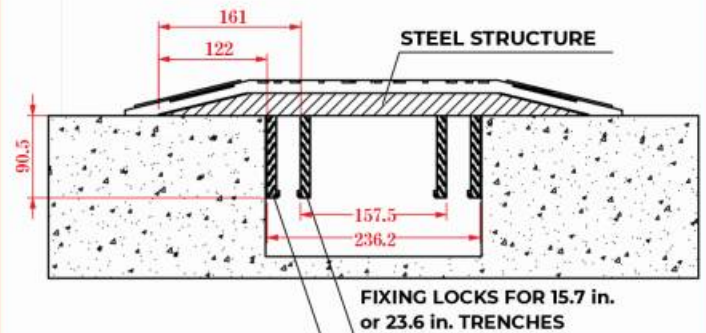
Measures are in inches and may vary by +/- 2%.

Measures

Central module: 55.1 in. x 23.6 in. x 3.9 in.

End cap module: 55.1 in. x 23.6 in. x 3.9 in.

Fits trenches measuring 15.7 in or 23.6 in.



For permanent installation

Using a drill with a 3/4" concrete bit, mark all the anchor holes using the speed reducer itself as a template. Drill the designated area to a depth of 7 in. Insert the anchor plugs into the boreholes, assemble the speed hump, insert the 3/8 in. screws and flat washers, and tighten the screws securely using a 9/16 in. socket.

