

Bicolor Post

Code: P-BC

A leader doesn't follow
steps ... he marks the way

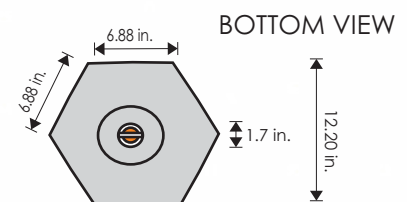


Technical specifications

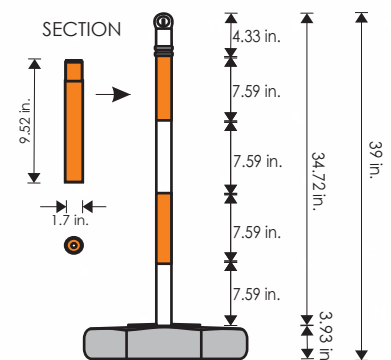
* Made of:	Medium-density polyethylene
* Total weight:	35.27 oz.
* Measurements	
**Total height	39 in.
**Base width	12.20 in.
**Total length of one section:	7.59 in.
**Diameter of the section:	1.7 in.
**Total base height:	3.93 in.
* Basic elements of the post:	4 sections, 1 top cap, 1 base. 1 connector.
* Basic colors on stock:	Yellow, red, orange, black and white

Features

- * It's made with an anti-UV treatment and it has high resistance to the environment.
- * It's perfect as an accessory to delimit construction sites, repairs, restrict pedestrian crossing or highlight risk areas.
- * It's highly resistant to blows, falls and crashes.
- * Its strong base allows it to have great stability against wind, hits and crashes. It can also be filled with water or sand.
- * Its design facilitates forming or delimitating any area with the number of posts that you require according to your necessities.
- * It is convenient in transport due to its sections of modular design which are assembled with pressure and great ease.
- * Easy to clean and maintenance-free.
- * It's available in a great variety of sections in attractive and showy colors of high visibility and easy localization.



SIDE VIEW



Volumes, dimensions and other
measures are nominal and may vary
approximately 2 %.