

# 115 REBOUNDABLE GUIDE PADDLE WITH INTEGRATED SOLAR-POWERED BASE

Code: VF-115BS

We have taken road safety  
to the next level!

## WHAT IS A REBOUNDABLE GUIDE PADDLE?

Engineered to provide exceptional visibility and resistance, the large guide paddle makes it highly visible in any roadway setting.

The main function is to warn and guide motorists around hazards, ensuring restricted areas remain off-limits.

This guide paddle acts as a traffic safety marker at critical points like road splits, or detours, with flexible installation options—fixed or mobile.

Perfect for temporary or permanent traffic control, ensuring safety and preventing vehicles from entering dangerous areas.



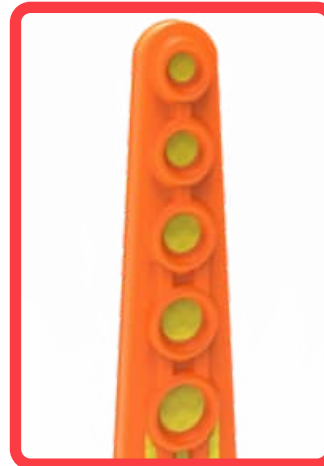
- 3/8"-diameter x 5.9" Ultraflex hex-head screw, 21 V
- 0.7"-diameter x 5.5 in extra-long anchor plug

## Features

- Engineered for placement on road splits or high-risk points on highways and expressways
- Impact-resistant against vehicle collisions
- Reboundable guide paddle available in several variants:
  - Can be configured as rigid or reboundable
  - Internal, external, or combined lighting options
  - Available in orange, black, or white
- Body manufactured from high-strength polymer or Poliflexy®, ensuring no damage to vehicles
- Black PVC base provides high stability, ideal for temporary signage
- Poliflexy® paddle recovers its original shape after impact, returning upright
- Includes 5 prismatic reflective discs for improved night visibility
- Base has 4 anchoring boreholes for secure installation using 3/8" screws and 5.5" extra-large anchors (not included)

### SOLAR-POWERED BASE FEATURES

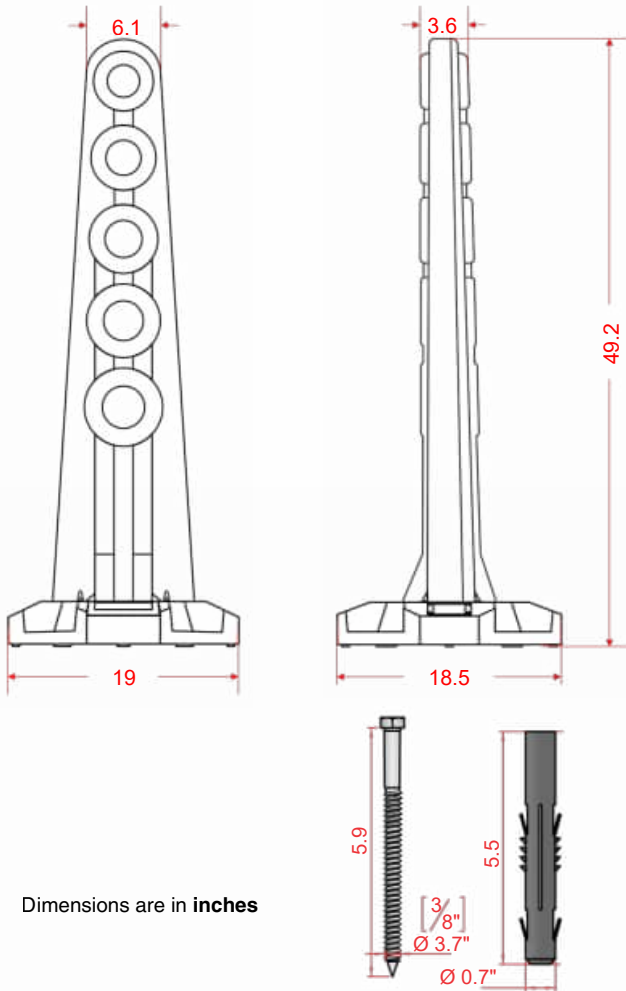
- Integrated smart solar-powered system
- Efficient solar panel coupled with advanced electronics
- Amber and transparent blue LEDs providing broad-angle illumination (30 degrees)
- Flashing rate: 3 Hz
- Charging time: 12 hours (fully charged in full sunlight)



# 115 REBOUNDABLE GUIDE PADDLE WITH INTEGRATED SOLAR-POWERED BASE

Code: VF-115BS

Dimensions and other measurements are nominal and may vary by  $\pm 2\%$



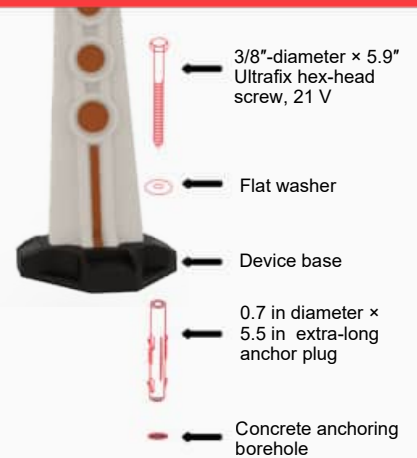
Dimensions are in inches

## Dimensions

<b>Overall dimensions</b>	Height: 49.2 in Base: 19 x 18.5 in
<b>Reflective elements:</b>	5 discs arranged in a straight line
<b>Reflective color:</b>	Amber or white
<b>Approx. weight:</b>	23.7 lb (with light)

## Anchoring instructions

- With a  $\frac{3}{4}$ " concrete drill bit, mark the 4 boreholes for drilling using the paddle base as a guide
- Drill each hole to a depth of 7"
- Insert the anchor plugs into the borehole and position the paddle and fasten the  $\frac{3}{8}$ " screws with flat washers
- Evenly tighten all 4 screws using a  $\frac{9}{16}$ " socket wrench
- Installation is complete



**+ Safety strength**  
**- cost**