

Unix Reboundable Channelizing Vertical Panel

Code: PIX-120



Leader don't follow steps
... marks the way

WHAT IS THE UNIX REBOUNDABLE VERTICAL PANEL?

Excellent reboundable traffic signalise for guide, prevent and restrict drivers and pedestrians on accesses and roadways.

Perfect for display limits of risky areas and divide street, avenues room and provide safety to drivers. Also for different uses, as mark and create bicycle protected lanes.

Pallet Unix offer the following options:

- Pallet with customized messages in one or both faces (digital printing).
- Entire brilliant body with powerfull led illumination.
- Circular sign (leds lighten too) created with digital printing.

Note: Led illumination options includes acrylic mica and a coping atop with 4 photovoltaic cells, rechargeable battery 3.7V. and white ultrabright led cluster of a magnitude about 5000 °K and 250 lumens inside.

Images are merely illustrative models.

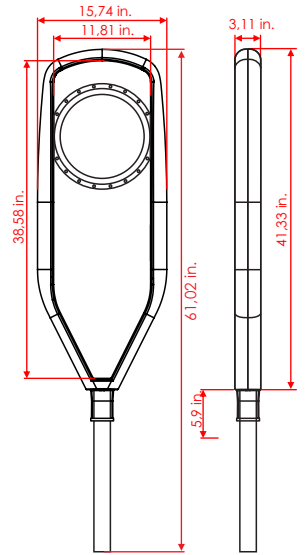
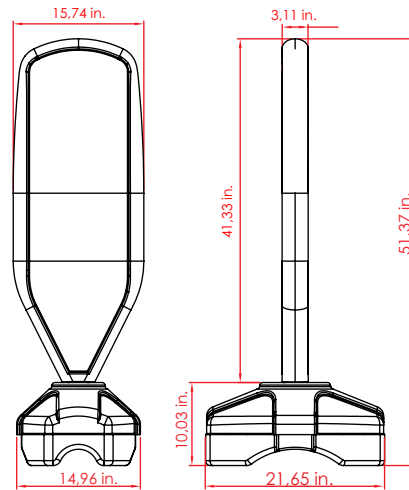
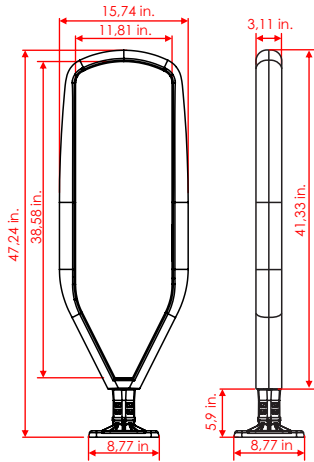
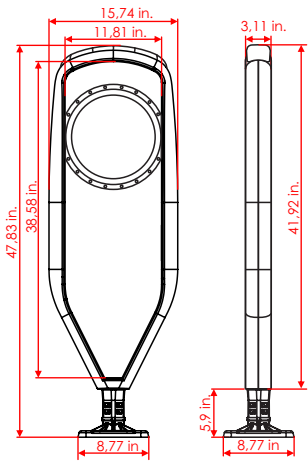
FEATURES:

- A traffic pallet prevent accidents and confusions taking drivers attention on what is really important on roadways.
- This is because and effective signalisation, means an effective intepretation and response of any danger or warning ahead.
- Made out in polyethylene for support multiple impacts.
- Pallets keeps vertical by 3 support-base options:
 - Base made out in ABS, converts it reboundable.
 - Base with sand ballast, make pallet portable .
 - Post of hollow quadrangular tube 2" drowned on floor can make your pallet permanent.
- Printed messages on pallets are customizable.
- All pallet has black plastic body with UV rays protection integrated. Support all weather, humidity and heavy temperature changes resistant.



Unix Reboundable Channelizing Vertical Panel

Code: PIX-120



Measure with coping (for led illumination)	
Length:	15,74 in.
Width:	8,77 in.
Total height:	47,83 in.

Measure with coping	
Length:	15,74 in.
Width:	8,77 in.
Total height:	47,24 in.

Measure turtle base	
Length:	21,65 in.
Width:	14,96 in.
Total height:	51,37 in.
Height w/coping:	51,96 in.

Measure steel post	
Length:	15,74 in.
Width:	8,77 in.
Total height:	61,02 in.
Height w/coping:	61,62 in.

Measures are nominal and can vary, between +/- 2%.
All in inches and pounds.

Anchorage



On cement road

- "Ultrafix" screw hexagonal head 21 v Ø 3/8" x 5.9 in.
- "Extralarge" tacket Ø 0.7 x 5.31 in.

Anchorage System

Mark the three holes on ground for place post's base. Then perforate with a 3/4" drill bit down to a 7" depth. Once the holes are correct introduce the tackets and place the **Pallet Post**, settle screws with the 3/8" plane washers. Wrist them with a 9/16" nut socket and your traffic post its ready on site.

- ← "Ultrafix" screw hexag head 21 v Ø 3/8" x 5.9 in.
- ← Plane washer.
- ← Post's base
- ← Extralarge tacket Ø 0.7 in. x 5.31 in.
- ← Auger on ground





PIX-120B-CL

PALLET UNIX **REBOUNDABLE BASE**
ENLIGHTEN CIRCLE



PIX-120B-IL

PALLET UNIX **REBOUNDABLE BASE**
ALL BODY ILLUMINATED



PIX-120B-1C / 2C

PALLET UNIX **REBOUNDABLE BASE**
PRINTED MESSAGE ONE OR TWO FACES



PIX-120BT-CL

PALLET UNIX **TURTLE BASE**
ENLIGHTEN CIRCLE



PIX-120BT-IL

PALLET UNIX **TURTLE BASE**
ALL BODY ILLUMINATED



PIX-120BT-1C / 2C

PALLET UNIX **TURTLE BASE**
PRINTED MESSAGES ONE OR TWO FACES



PIX-120PA-CL

PALLET UNIX **STEEL POST BASE**
ENLIGHTEN CIRCLE



PIX-120PA-IL

PALLET UNIX **STEEL POST BASE**
ALL BODY ILLUMINATED



PIX-120PA-1C / 2C

PALLET UNIX **STEEL POST BASE**
PRINTED MESSAGES ONE OR TWO FACES