

Patent Pending



A leader doesn't follow
...marks the way

DOUBLE SIDED TRAFFIC PADDLE

The manual signage is crucial to guarantee safety and order in areas where transit and pedestrian circulation must be managed carefully.

Essential device to control transit flow in different situations as public road works, massive events and crowded places.

Easy to move.

Design with conspicuous colors (orange or yellow) can include in both reflective faces to be visible in low light conditions.

Can be used in different situations and places, such as entrances and exits of schools, hospitals, parking lots and sport events.

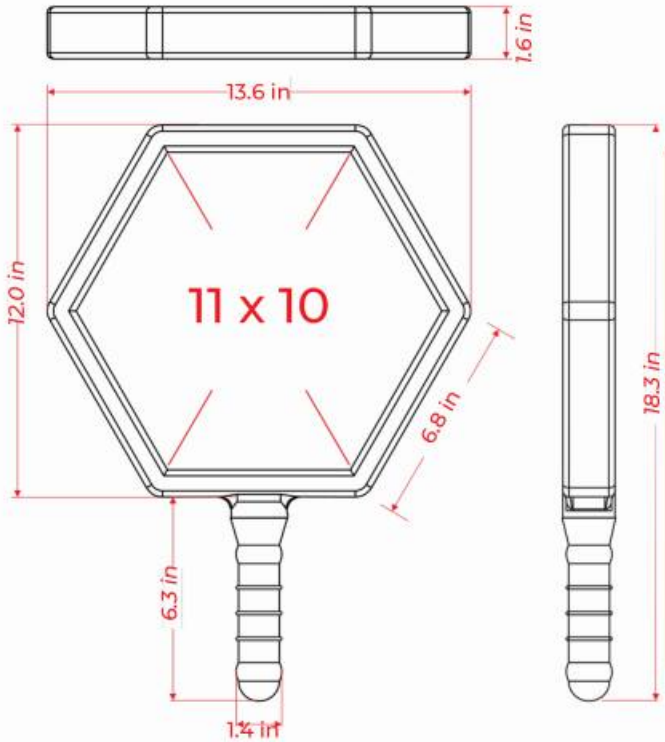
Features

- Allow a quick and clear communication with motorists and pedestrians to direct transit safely.
- Designed to show different messages according to project needs.
- Equipped with a handle for manual use.
- Can be attached on post for greater versatility.
- Manufactured in a single piece by blow molding.
- Made of polyethylene in orange or yellow color.
- Resistant to UV rays to guarantee a long life span.
- It doesn't require maintenance, reduce costs at long term.
- Stackable for a more economic storage and transport.



Dimensions and other measures are nominal and may vary by approximately + / - 2 %.

Dimensions in: in



Measurements

General Measurements

Length: 13.6 in
Width: 1.6 in
Total Height: 18.3 in

Reflective Sheeting Color (one/two faces)

According to project

Around Weight

0.771 lbs

