

MULTIPURPOSE PADDLE

Code: P-HEXA-30

Patent Pending



A leader doesn't follow
marks the way...

DOUBLE SIDED TRAFFIC PADDLE

Hexagonal device paddle type is designed to control the circulation of vehicles and machinery, it also allows the flow of pedestrians in public work zones or massive events.

Design with two views or faces, allowing to adapt to the specific needs of transit control.

Hexagonal shape of the device provides stable and visible structure from multiple angles.

Designed to be easily mounted on delineator post 122, easy to install and ensures stability on required place.

Features

- Body manufactured in a single piece of HDPE yellow or orange color for a great durability.
- UV protection, withstanding adverse climate conditions and wear to frequent use.
- Equipped with high visibility reflective sheeting to ensure its visibility during day and night.
- Ideal to use in public work zones, massive events and where is required a temporary control of transit, intersections and areas to deviate or stop transit safely and efficiently.
- Mount hexagonal device on the post, ensuring is fastened firmly and adjust the view depending the specific need of transit control on the zone.
- Screw included, adaptable to place in Delineator post 122, 85 or 110.
- Post has a a device to hold tape and end for an easy handling, allowing maneuverability and movement to any other place.
- Base manufactured in LDPE in black color to improve stability.
- No maintenance required.
- Useful for the entrance and exits of school, hospital, parking lots and others, ti also guide crowds and others.

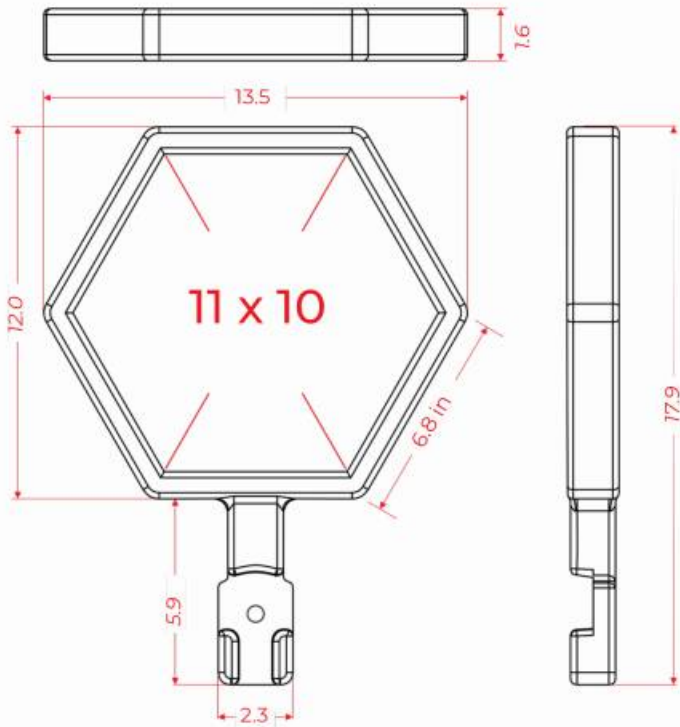


MULTIPURPOSE PADDLE

Code: P-HEXA-30

Measures are nominal and may vary by +/- 2%.

Dimensions in: in



Measurements

Paddle Measures:

Length: 13.5 in
Width: 1.6 in
Hexagonal Height: 17.9 in

General Measures:

Length: 18.1 in
Width: 15.7 in
Total height with post: 62.9 in

Reflective Sheeting Color: (1/2 faces)

According to project

