

# FLEXIBLE GUIDE PADDLE

Code: VF-31



True leaders do not follow  
...they lead the way

## WHAT ARE THE FLEXIBLE GUIDE PADDLES?

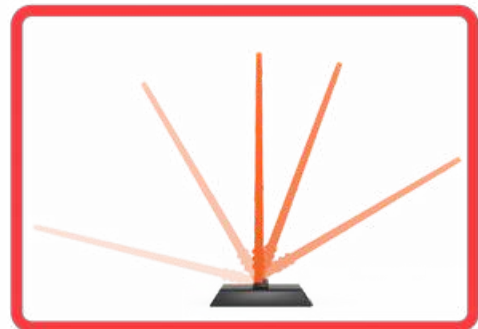
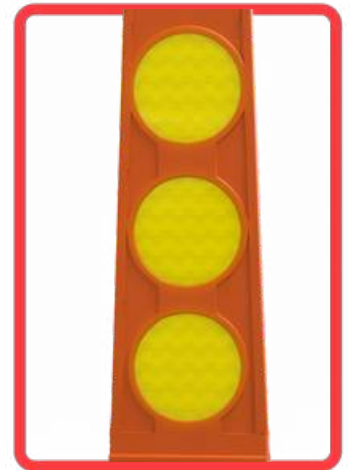
Flexible square-based paddles.

Designed to alert drivers to obstacles, mark designated areas, and prevent vehicles from entering restricted zones.

They are particularly recommended for parking lots and detours, helping to keep vehicles from stopping at intersections or entering hazardous areas. Perfect for two-way streets and reversible lanes.

## Features

- Perfect for medians, contraflow lanes, high-risk zones, expressways, and highways.
- Built to endure multiple accidental vehicle impacts without damage.
- The bright orange Poliflexy® paddle is vehicle-safe, while the rigid black ABS base can be equipped with one or two metallized methacrylate reflective panels in amber, white, or red.
- Stackable for cost-efficient shipping and storage.
- Weather-, corrosion-, and UV-resistant.
- Equipped with three prismatic reflectives per side, ensuring excellent day and night visibility.
- Quick and simple installation using epoxy adhesive or portable setup.

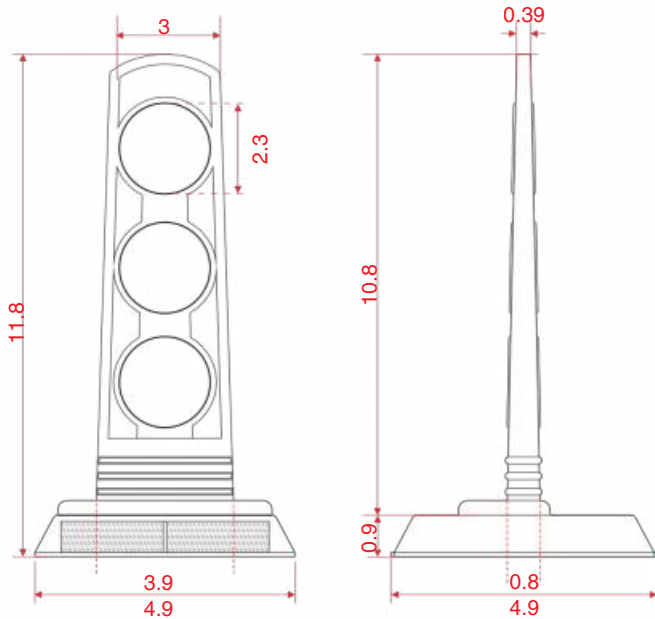


*Images are for illustration purposes only.*

# FLEXIBLE GUIDE PADDLE

Code: VF-31

Dimensions and other measurements are nominal and may vary by  $\pm 2\%$



FRONT VIEW

SIDE VIEW

Dimensions are in inches

## Usage recommendation



## Dimensions

|                            |   |
|----------------------------|---|
| <b>Total</b>               | Base: 4.9 x 4.9 in<br>Overall height: 11.8 in |
| <b>Reflective element:</b> | 3 reflective panels per side                  |
| <b>Reflective color:</b>   | Yellow, white or red                          |

## Anchoring system

Thoroughly clean the installation area, removing grease, dust, and debris.

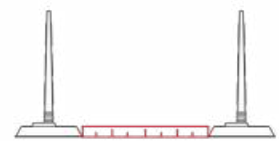
**1.** Mark the exact position on the floor where the paddles will be placed.

**2.** Apply a sufficient amount of epoxy to the base of the paddle, ensuring coverage to the edges for optimal adhesion to the concrete.

**3.** Position the paddle according to the indicated traffic direction, applying even pressure. Excess epoxy along the edges is normal and helps strengthen the bond.

*Note:* To prepare the epoxy, mix equal parts of adhesive "A" and "B" until a uniform paste is obtained.

1



2



3



Images are for illustration purposes only.