

# Arrow Safety Pallet

Code: PTF-20

Leader don't follow steps  
... marks the way

## WHAT IS THE ARROW SAFETY PALLET?

Is a pallet for easy put-&-remove that have two features: it's a light-catcher (with reflective) and also is the cap.

Its main function is to reflect, signalise and guide vehicles out of forbidden zones or work places and also as a safety traffic marker.

Its an addition to put on the top of cones, barriers and barricades to bring a luminic signaling.



## FEATURES

- Easy to install, secure attachment.
- The arrow pallet has thread to fix it firmly.

Manufactured out in polypropylene for resistance and durability

UV ray protection integrated

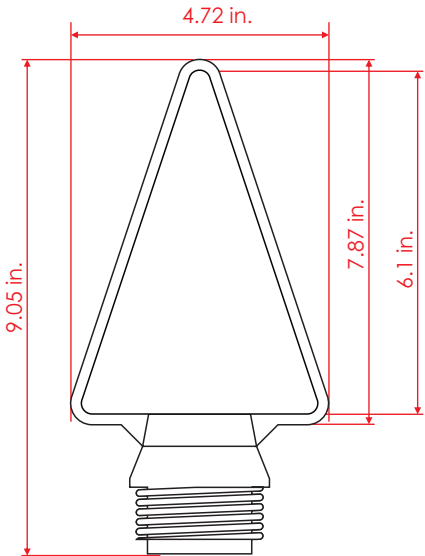
Line colors: Black and white.



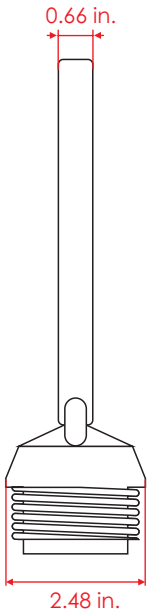
# Arrow Safety Pallet

Code: PTF-20

Measures are nominal  
and can vary,  
between +/- 2%



FRONT VIEW



LATERAL VIEW

Measure	
<b>Body:</b>	Length: 4.72 in.
	Width: 0.66 in.
	Functional Height: 7.87 in.
	Total height: 9.05 in.
<b>Reflective color:</b>	Amber or white

