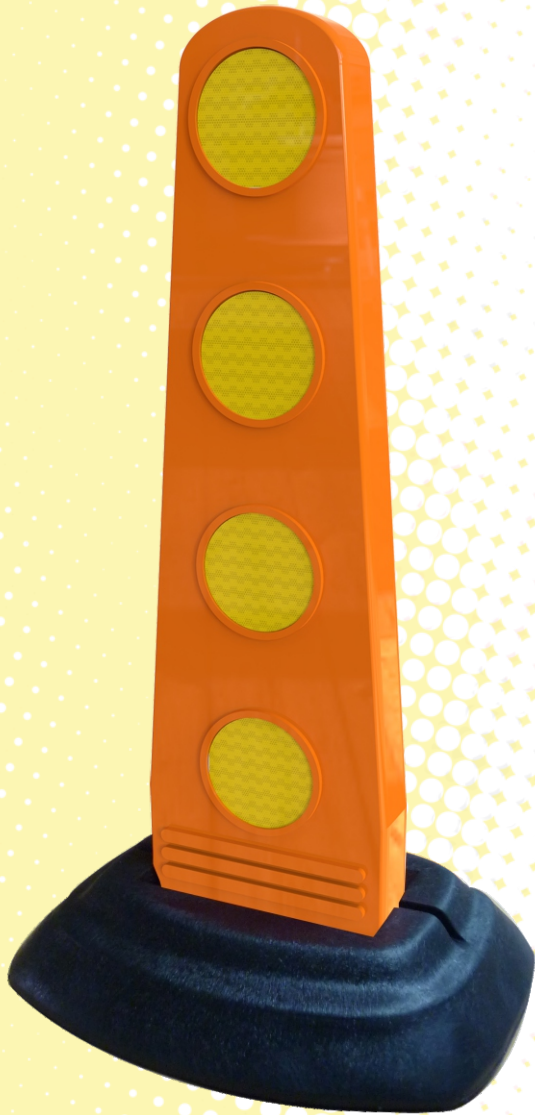


A leader doesn't follow steps  
... he marks the way

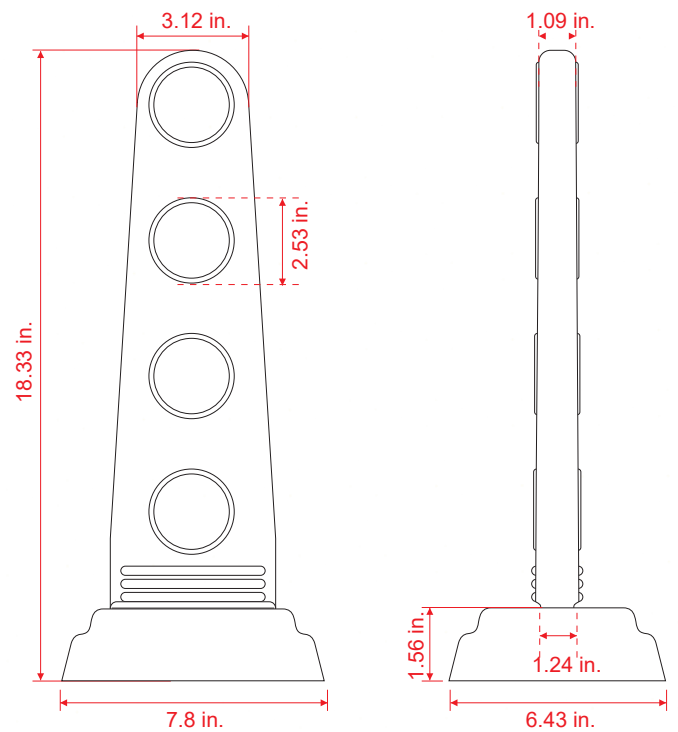
# FLEXIBLE GUIDE PADDLE

## PC-50



### Features

- This accessory is placed to create restricted areas and as traffic control in parking lots.
- In addition to being functional as a traffic guide in turnouts, detours, highways, and freeways, it serves to delimit contraflow lanes.
- Highly flexible and resistant material.
- When its tongue bends, it returns to its position in a matter of seconds.
- It's immune to the environment, corrosion, and rusting. It's also UV rays protected.
- It's reinforced with 4 circles of High-Intensity reflective layers per face that help improve visibility in low-light areas.



### TECHNICAL SPECIFICATIONS

- \* **Made of:** Poliflexy® tongue. The base is made of rigid PVC.
- \* **Measures:** Length: 7.8 in. Width: 6.43 in., Height: 18.33 in.
- \* **Reflective area:** Ø 2.34 in.
- \* **Color:** Fluorescent orange. The base is black.

Volumes, dimensions, and other measures are nominal and may vary by approximately 2 %.