

STOP - GO SOLAR PADDLE

Code: PPS-30S

A leader doesn't follow,
marks the road

DOUBLE SIDED TRAFFIC PADDLE

The manual signage is crucial to guarantee safety and order in areas where transit and pedestrian circulation must be managed carefully.

An essential device to control transit flow in different situations as public road works, massive events, and crowded places.

Easy to move.

Design with conspicuous colors (orange or yellow) can include both reflective faces to be visible in low light conditions.

It can be used in different situations and places, such as entrances and exits of schools, hospitals, parking lots, and sports events.



Features

- Allow a quick and clear communication with motorists and pedestrians to direct transit safely.
 - Designed to show different messages according to project needs.
 - Equipped with a handle for manual use.
 - Can be attached to a post for greater versatility.
 - Manufactured in a single piece by blow molding.
 - Made of polymer in orange or yellow color.
 - Resistant to UV rays to guarantee a long lifespan.
 - It doesn't require maintenance, reducing costs in the long term.
 - Stackable for more economical storage and transport.
- Solar system
- Solar panel on the top part to guarantee an autonomous and ecological supply.
 - 6 LEDs (per side) with conical optics and mirrors that provide better light scattering, ensuring optimal visibility of the entire sign.
 - Batteries that enable autonomous functioning during long periods.
 - JVM electronic circuit that guarantees flashing of signs uniformly, improving visibility.
 - Panel charges in 6 hours under direct sunlight and provides 12 functioning hours in continuous flashing mode.

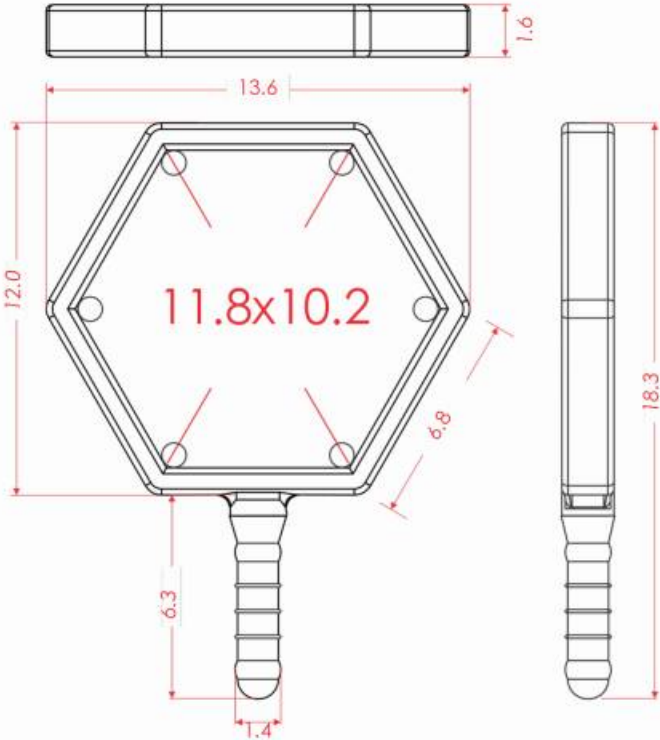


STOP - GO SOLAR PADDLE

Code: PPS-30S

Measures are nominal and may vary by 2%

Dimensions in: in



Measures

General measures:

Length: 13.6 in
Width: 1.6 in
Total height: 18.3 in

Color of reflectors:
one or two sides

According to project

Approx. weight:

0.771 lbs

