

Luminus 85 Vandal-resistant Street Light

Code: LUM-C-3140-ANT



WHAT'S A VANDAL-RESISTANT LUM-85?

- A lamp of street furniture with an attractive, innovative, and elegant design. Also, it's made with high-quality materials.
- Easy to install. It includes all the accessories needed for its proper operation.
- External use. It is robust and resistant to the elements. It's ideal for bringing life and lighting to the environment wherever it's added.
- A state-of-the-art lamp that incorporates the new advances in technology.
- Exceptional vandal-resistant street light.

Features

- Made of Poliflexy®.
- Almost indestructible which makes it one of a kind.
- It's made with heavy-duty materials that bear on a daily basis the elements, UV rays, impacts, and blows.
- It contributes to a safe environment and is of a high standard.
- Perfect to install in columns of 8 ft 2.4 in. to 9ft 10 in.
- Maintenance-free and user friendliness.
- Self-activating light.

ELECTRIC SYSTEM

- LED with really low electric power consumption. It's 100 % recyclable which makes it environmentally friendly.
- It has an on/off switch that works through its photoelectric sensor.

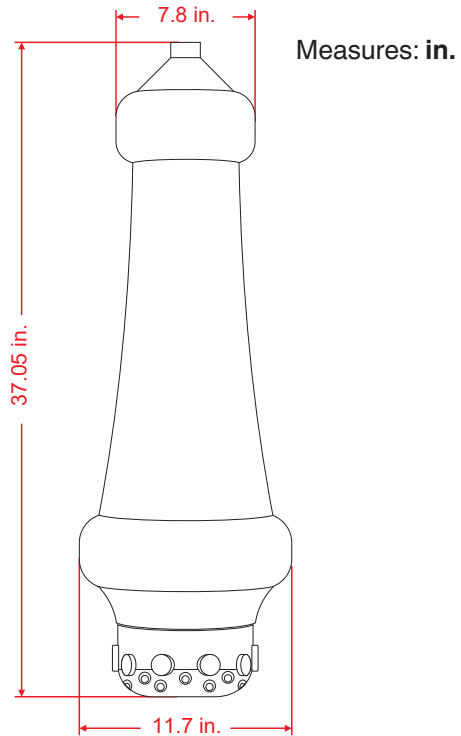
LED module with a linear arrangement	LED Chip 50W
Input voltage	100-240 V
Power consumption	50.5W
Half-life hours	50,000 h.
Lumens	4500
Electric control system	Instant photoelectric
Degree of protection	IP65
Degree of protection	IK10
Color temperature	6000-6500K



Vandal-resistant Luminus 85

Code: LUM-85

Volumes, dimensions, and other measures are nominal and may vary by approximately 2 %.



Measures

Street light

Top diameter: 7.8 in.
Bottom diameter: 11.7 in.
Height: 37.05 in.

