

110 BARRICADE

Code: BA-110



True leaders do not follow
...they lead the way

¿WHAT IS THE 110 BARRICADE?

- Road safety barricade with decorative or oval base.
- Designed to secure risk areas, protect pedestrians and workers, and provide safety at crossings, parking lots, and construction zones.
- Perfect for channeling and guiding traffic flow.

Features

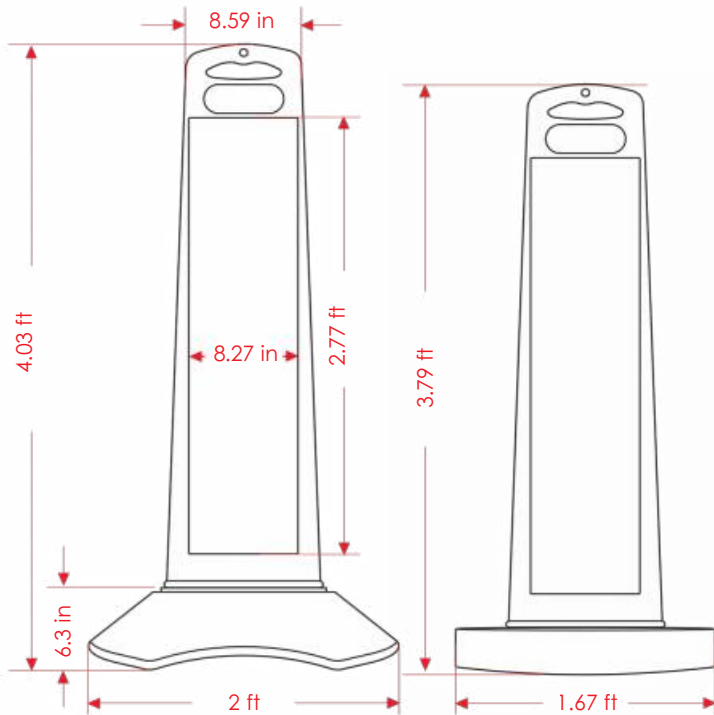
- The structure is made from medium-density polyethylene.
- Our barricades are one of the most effective solutions for guiding vehicle traffic, minimizing risks, and ensuring protection for both on-site workers and drivers.
- Equipped with an integrated ergonomic handle for easy handling and transport, they also allow for the attachment of caution tape or plastic chain. Each unit includes a slot for an optional warning light.
- The base can be filled with sand to provide greater stability on site.
- Their stackable design maximizes efficiency, cutting transportation and storage costs significantly.
- High visibility and safety.
- Designed to align with drivers' eye level, these barricades provide exceptional visibility.
- Available in bright safety orange, they can be fitted with two or four reflective stripes (optional on both sides), ensuring clear visibility even in low-light conditions such as nighttime or fog.
- Engineered to resist impacts and shocks, they provide UV protection and are designed to endure harsh environments and extreme temperature variations without compromising performance.



110 BARRICADE

Code: BA-110

Dimensions and other measurements are nominal and may vary by $\pm 2\%$



Dimensions

Decorative base:	Length: 2 ft Width: 15.75 in Overall height: 4.03 ft
Oval-shaped base:	Length: 1.67 ft Width: 13.98 in Overall height: 3.79 ft
Reflective:	Available with 2 to 4 reflective stripes on each side
Reflective color:	White preferred

