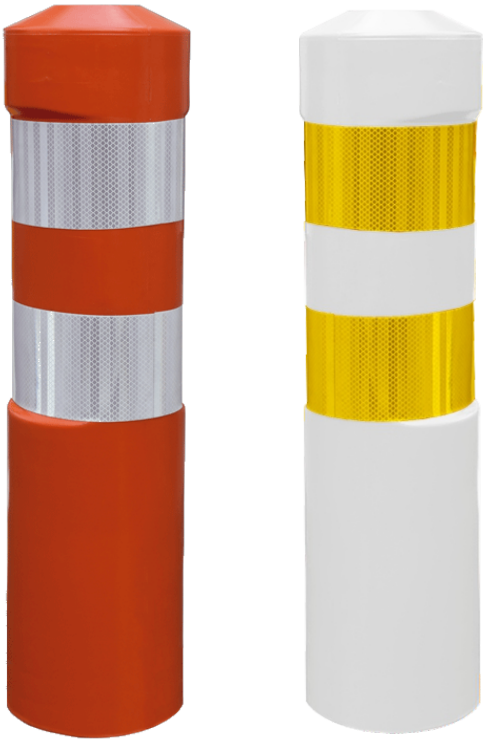


Images are merely illustrative models.



Leader don't follow steps  
... marks the way

### WHAT ARE THE POLIFLEXY® POST?

Preventive signalise, flexible post, special for delimit or mark potential dangers. The post also works as a traffic alignment indication, bettering the visibility of the message.

### WHAT IS FOR A POLIFLEXY® POST?

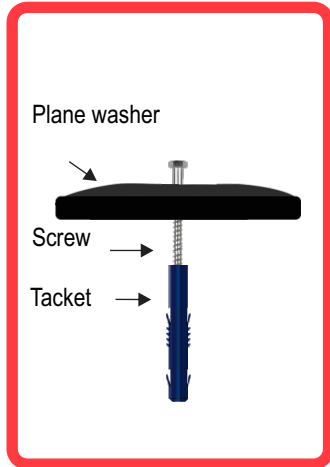
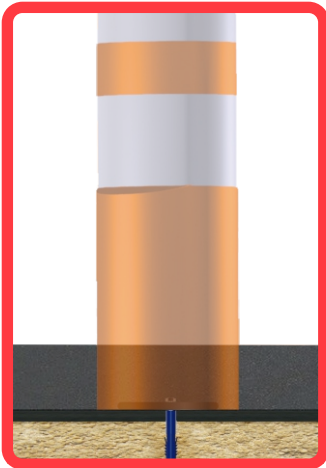
It's main function is to avoid vehicles to invade forbidden zones, also are safety traffic limiters.

### RECOMMENDED USE

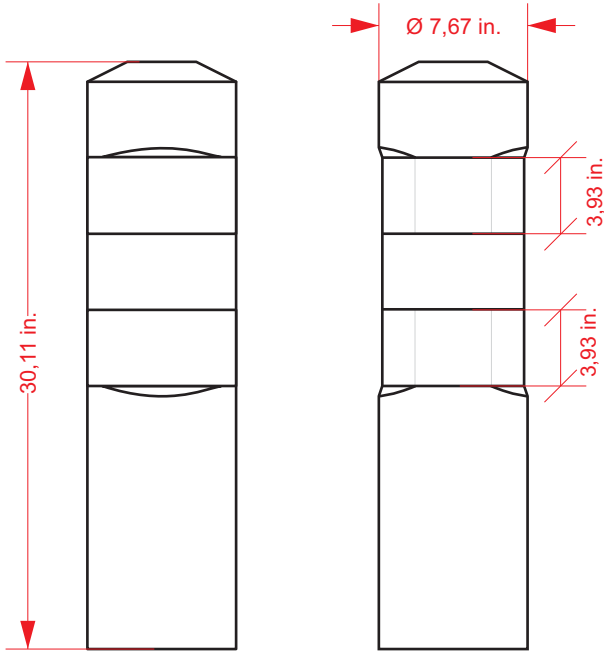
Suggested use mainly in rows making a fence or various elements avoiding vehicles parking over sidewalks, and to keep safe possible dangerous areas.

### FEATURES

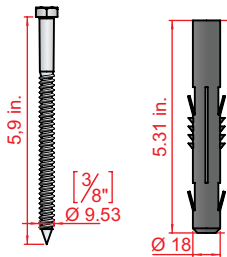
- The post is made out in Poliflexy® plastic, our exclusive flexible material, with special properties as heavy impact resistant with no harm to vehicles, persons or fauna.
- Can support number of run-ins recovering his original form and vertical position.
- Line colors: orange, yellow or white.
- More colors on demand with your request above 200 pcs.
- Two reflectives rings in its cilindric body for be seeing from significative distance. In dark hours appear as a strong attention call to drivers.
- EASY INSTALLATION
- Inside the post their is a big black PVC washer with rounded bords, that facilitates fixation on floor.
- Then with an extralarge tacket and special long screw with hexagonal head 3/8" the piece holds is position. See next page directions.



Measures are nominal and can vary, between +- 2%. All in inches and pounds.



TOP VIEW



FRONT VIEW

## MEASURE

<b>TOTAL</b>	Height: 30,11 in. Ø 7,67 in.
<b>Reflectives:</b>	2 rings, each 94,86 in <sup>2</sup>
<b>Reflective color:</b>	white or amber
<b>Weight:</b>	3,62 lb.

## Anchorage System

Mark the three holes on ground for place post's base. Then perforate with a 3/4" drill bit down to a 7" depth. Once the holes are correct introduce the tackets and place the Poliflexy® Post 76.

Settle the 3/8" washer. Wrist it with the help of a 9/16" nut socket connected to a large "T". You must go through the post to turn screw right enough. Your installation is complete.

