

Folding Post

Codes: IT-AB-03, IT-AB-02, IT-AB-01

A leader doesn't follow steps
... he marks the way



WHAT'S A FOLDING POST?

- A flexible post that divides and signalizes the street, it's also detachable and has a practical modular system.
- It has an adaptable base to set on the ground.
- The reflective stripes are meant to be seen from afar.
- 360° of mobility with an inclination of up to 45°, it's capable to recover its vertical position without damages.
- Idoneus for regulate and control vehicle flow in parking lots, schools, mergers and else.



FEATURES

- It's useful in constructions, roadworks, counterflows, detours and merges.
- UV protection.
- Weather-resistant.
- Shock and impact resistant because it recovers its original position.
- Colors of great visibility: yellow, blue, green, orange, black and white.
- High-quality reflective stripes that work day and night.
- Detachable pieces with thread union, just turn and tight them.
- You can attach 1, 2 or 3 modules to change in size.
- Easy to transport and handle.
- A circular base with great stability that includes a spring in the middle to make the post returns to its original position.
- Anchor to the ground with 4 dubels of 3/8", 4 large screws 5/16" x 2", hex-head with flat washers of 5/16" (not included).



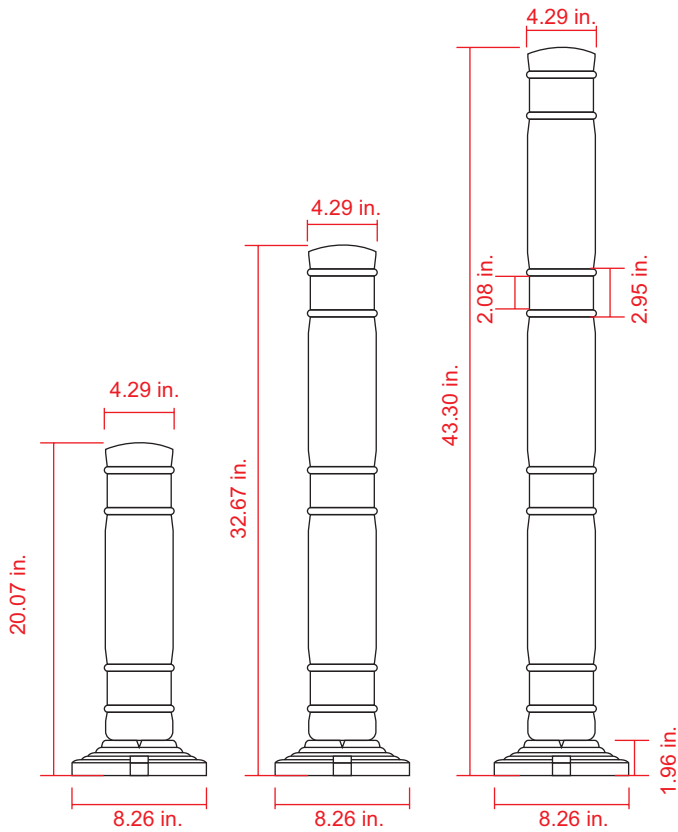
The images are merely a representation of the models.



Blue Folding Post

Code: IT-AB-03, IT-AB-02, IT-AB-01

Volumes, dimensions, and other measures are nominal and may vary by approximately 2 %.



MEASURES

Manufactured in: Ultra-high-molecular-weight polyethylene.

Module color: Blue, white, orange, yellow or black.

Total measure and weight:

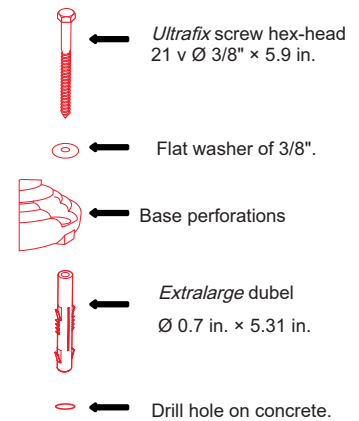
Post of 1 module:	20.07 in. height.	33.86 oz.
Post of 2 modules:	32.67 in. height.	42.04 oz.
Post of 3 modules:	43.30 in. height.	52.02 oz.

Base material: Medium-density polyethylene

Color: Black.

Reflective stripes (optional): 3 grades to choose:
Engineering, High Intensity or Prismatic.

Recommended anchor:



Mark the three holes where the posts are going to be and with the help of a drill with a $\frac{3}{4}$ " concrete drill bit bore into a depth of 7" and put the *Extralarge* dubels on each hole. Assemble the **Folding Post** with a screw and a $\frac{3}{8}$ " flat washer. You can do this with the help of a $\frac{9}{16}$ socket wrench attached to a T-Handle socket wrench. Pierce the post and spin the screw to the right until it is tight enough. Like this, the installation is completed.

