

LARGE TRAFFIC BARRIER

Code: B-1070

A leader doesn't follow...
marks the road

WHAT IS A LARGE TRAFFIC BARRIER?

Traffic device used as safety fence.

Useful to delimit, sign and cordon off events, providing security.

Suitable to block roads, sign works, changes, lane separations, diversions or guide transit and delimit in sport activities or events.



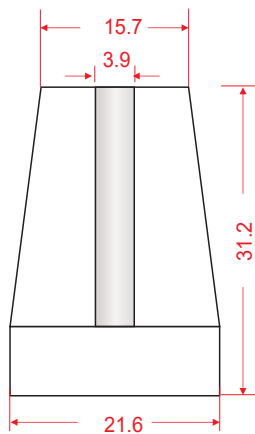
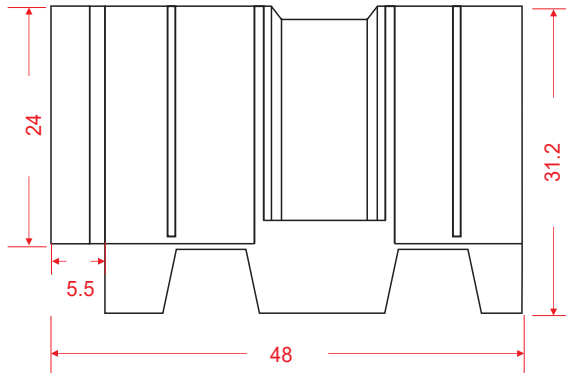
Features

- Modular system traffic barriers, easy to assemble.
- Coupling device that allows to build the desired length according to their needs.
- Used to provide guidance to crowds to the indicated place.
- Manufactured in medium density polyethylene.
- Line colors: red and grey; more colors upon request.
- Uniform thickness in walls for a better daily performance.
- Long life span and resistance to inclemency as temperature changes.
- UV protection.
- Screw cap for emptying in lower part and fill cap in top part.
- Can be filled with water to increase weight and stability if required, it is recommended to fill up to 30% of its capacity.
- Easy, quick and safe coupling, suitable for one person to perform their join.
- The base system allows water flow in rainy season, avoiding waterloggings.



Dimensions and other measures are nominal, and may vary by +- 2%.

Dimensions in: **in**



Measures

Total

Length: 48.0 in
Width: 21.6 in
Height: 31.2 in

Ballast:

Sand or water

Weight (empty):

45.415 lbs.

