

SOLAR ARROW BOARD 760 / CLUSTER

Code: FS-760/CLUSTER S



POSTEFLEX®
TURTLE BASE



TRIPOD



HOOK

FEATURES

- Luminous arrow board offer advanced and efficient solutions for traffic management and works.
- Works with solar energy, avoiding the need of other external power supplies.
- Reduce environmental impact and operational costs.
- Equipped with clusters of LED lighting, ensuring visibility in diverse light and climate conditions.
- Improve safety in roads thanks to high luminosity.
- Resist corrosive and saline environments, ideal for coastal and industrial areas.
- Durability in a great variety of adverse environments.
- Lightweight device allows easy transportation; can be placed by one person.
- Easy to install and move, depending on the project needs.

3 MOUNTING OPTIONS

- Mounted on Posteflex® of 2"x2"; fixed in a turtle base type, can be filled with sand to avoid tipping.
- Steel hooks to mount on truck, offering more stability and mobility in motion, ideal for vehicles in transit.
- Mounting on tripod; portable and easy to use in different locations, increasing its versatility.
- Improve road safety through clear and visible signals.
- Adaptable to different signage needs in transit and work projects.



FEATURES

- Resistant construction to withstand adverse climate conditions and corrosive environments.
- Manufactured in a single piece in one face of HDPE in black color.
- Handle to ease the use and maneuverability.
- High resistance to temperature changes and adverse climate conditions, protection against UV rays ensuring durability and prevention of discoloration.
- Resistant to humidity, ideal to use in outdoors.
- 100% recyclable, developing environmental sustainability.
- It doesn't rust, maintaining its structural integrity over time.
- Design allow to stack several units, optimizing transport and storage costs.

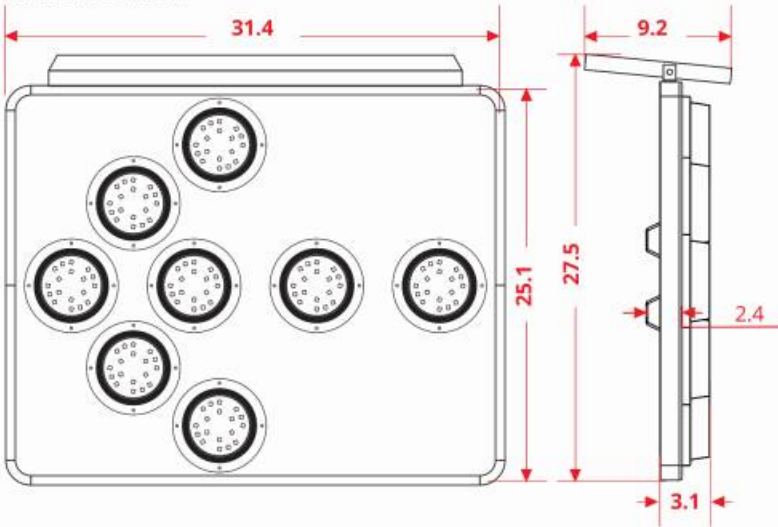
- These luminous arrow boards are essential to guarantee safety and efficiency in different situations of transit and works, adapting to a broad range of environments and requirements.
- **Lighting:** 8 acrylic clusters in amber or red color with light diffuser to optimize it.
- Photovoltaic panel of 670 mm x 235 mm x 25 mm of silicon of 30W, 6V, allowing an energetic autonomy.
- Rechargeable battery of 13.4mA, guaranteeing between 10 and 16 hours of continuous functioning with a complete charge.
- Robust, functional and sustainable design that adapts to different signage and warning needs in outdoors.
- Made of plastic material, without resale value to dissuade thefts.



SOLAR ARROW BOARD 760 / CLUSTER

Code FS-760/CLUSTER S

Measures in: in



Measurements

General Measures:

Length: 31.4 in
Width: 2.4 in
Height: 25.1 in

Cluster Board:

Length: 29.9 in
Height: 24.0 in

Lighting System

Luminous Modules:

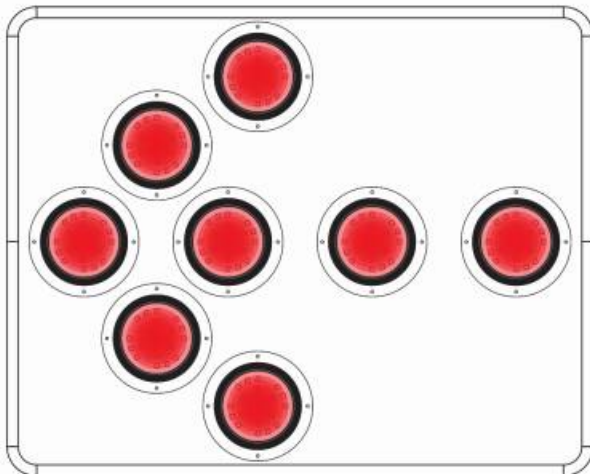
8 LED clusters with LED holder, protective mica, butyl seal.

SOLAR PANEL MONO -30W

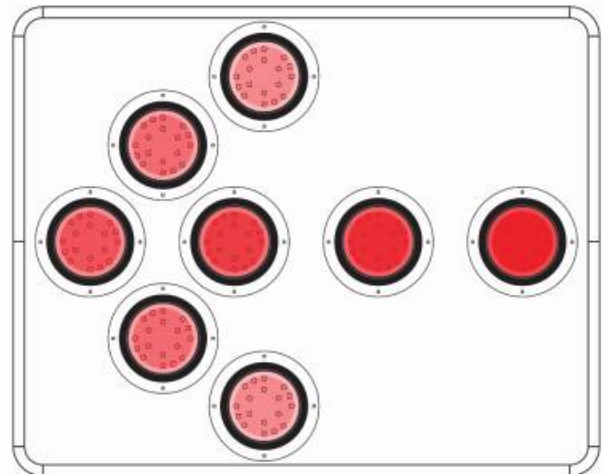
- Lighting Color:
- Maximum Power (Pm):
- Short Circuit Current (Isc):
- Open Circuit Voltage (Voc):

Amber or red
30W
5.0A
6.0V

HORIZONTAL board
ARROW - RIGHT OR LEFT
Flashing system through a pushbutton control circuit that allows to display 02 functions-



LEFT ARROW.
FLASHING



LEFT ARROW
SEQUENCE