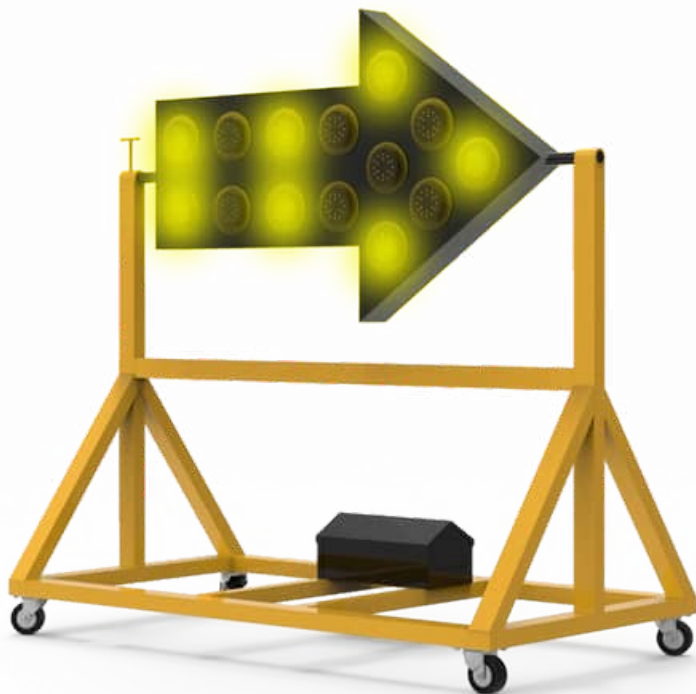


SOLAR LUMINOUS ARROW BOARD

Codes: FLE-SOL-14 / FLE-ELEC-14

True leaders do not follow
...they lead the way



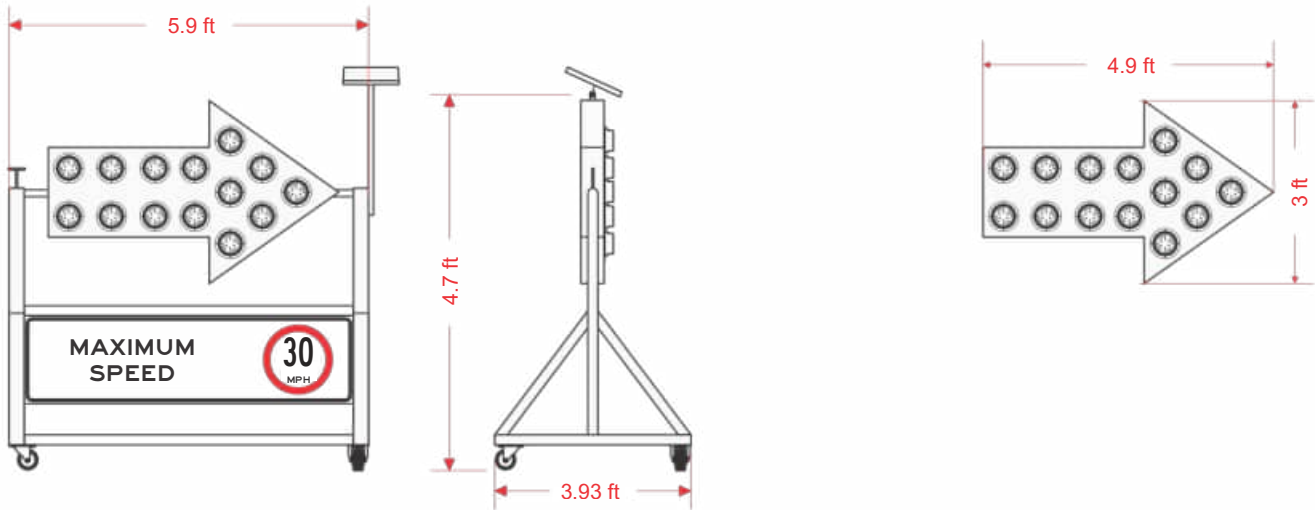
Features:

- Developed using cutting-edge technology, with 14 independently controlled high-brightness LED clusters.
- Up to 4 different flashing sequences.
- Square steel tubing frame with durable sheet for environmental resistance.
- Perfect for detours, construction zones, landslides, and repairs.
- Nighttime visibility up to 1,094 yd.
- Wheeled support for easy positioning and transport.
- Manual control for sequence management, easy to use.
- Minimal maintenance required.
- Can work on electric or solar power, with the option to include a low-profile sheet sign.

SOLAR LUMINOUS ARROW BOARD

Codes: FLE-SOL-14 / FLE-ELEC-14

Dimensions are in feet



Lighting system

Structure

Material: Rectangular steel Tube in sizes 4 in x 2 in, 3 in x 1 ½ in, and square, size: 1 ½ in
Coating: Alkyd primer and yellow anticorrosive enamel
Approximate weight: 66.1 lb
Dimensions: Width: 3.93 ft
 Length: 6 ft
 Height: 4.7 ft

Arrow-style metallic panel

Material: 16-gauge galvanized sheet with rectangular steel tube, angle and flat bar frame.
Coating: Finished with alkyd primer and black anticorrosive enamel
Approximate weight: 110.2 lb
Dimensions: Width: 5.9 in
 Length: 4.92 ft
 Height: 3 ft

Sistema de Iluminación

Number of modules: 14 LED clusters
Cluster color: Amber or red
Approximate LED lifespan: 100,000 hours (10 years)
Luminous Intensity per LED: 6.5 cd
System visibility distance: 1,093 yd approx.

For 127V AC power supply or direct connection

Solar-Powered System Featuring:

INCLUDED

Solar panel: 40W silicon photovoltaic cell
Long-life batteries: Rechargeable, 12V–7amp deep-cycle
Programmable circuit efficiency: Operates for 12 hours with 7 hours of full-sun charging