

Pass-Either-Side Bollard

Code: D-LUM-61/ D-SOL-61



A leader doesn't follow steps
... he marks the way

WHAT IS A PASS-EITHER SIDE BOLLARD?

A high-visibility illuminated device designed to warn drivers of an approaching detour. Recommended for installation at traffic exits and access points. In the event of vehicle impacts, it absorbs part of the force and returns to its upright position.

FEATURES

- Manufactured in medium-density polyethylene and it can be made in yellow, orange or white in illuminated models.
- Maintenance-free, easy handling and it's protected against UV rays.
- It has a conical body and great height for better visibility.
- It is easy to install with three drill screws and **Extralarge** dubels (not included). It can be movable too.
- It includes a reflective area for better visibility at night.
- The top half (the paddle) can be circular or triangular and it can be added advertising or any message.
- The illuminated models can be connected to electricity current.

ELECTRIC POWERED OPTION

- A well illuminated sign enhances its visibility.
- Their light system on top consists of a high intensity 180 LEDs (RGB50/50) with a 120-degree opening angle which is strategically distributed to "bathe with light" the entire surface.
- In the lower light system, the post is also illuminated with a LED tube finished in translucent blue of 18w.
- The system operates with 110-240 volts.

SOLAR POWERED OPTION

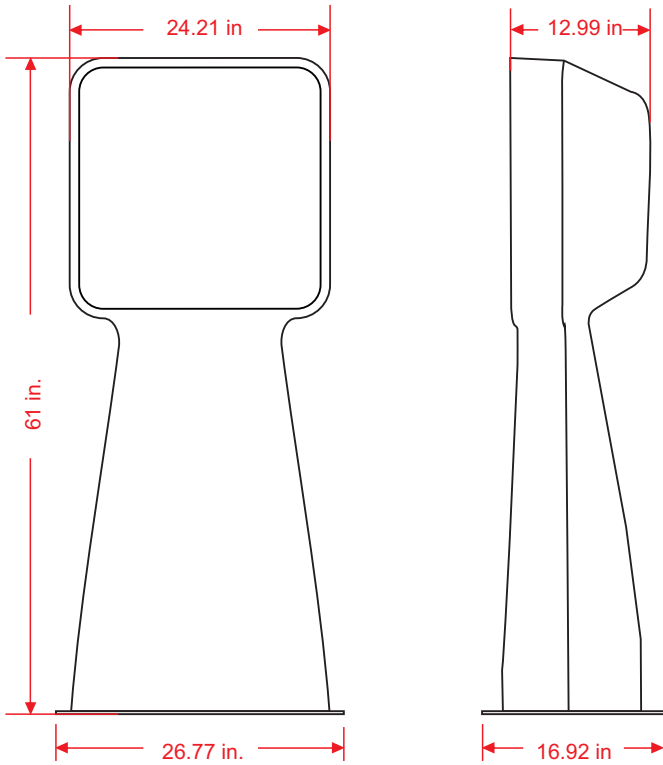
- It is composed of a photocell and a battery bank. Our solar powered system is a power circuit that charges during natural light hours which guarantees the operation of a signal device with full charge in a luminous day for a period of 8 to 10 hours.



Pass-Either-Side Bollard

Code: D-LUM-61/ D-SOL-61

Volumes, dimensions and other measures are nominal and may vary approximately 2 %.



Measurements

Total:	Length: 26.77 in. Width: 16.92 in. Height: 5 ft 1 in. (61 in.)
Reflective:	Prismatic High Intensity Engineer Grade
Reflective color:	Varies depending on the purpose of the sign.
Weight (empty) aprox.:	44.09 lb.

