

Traffic Cone 60

Code: CN-60

Leader don't follow steps
... marks the way

FEATURES

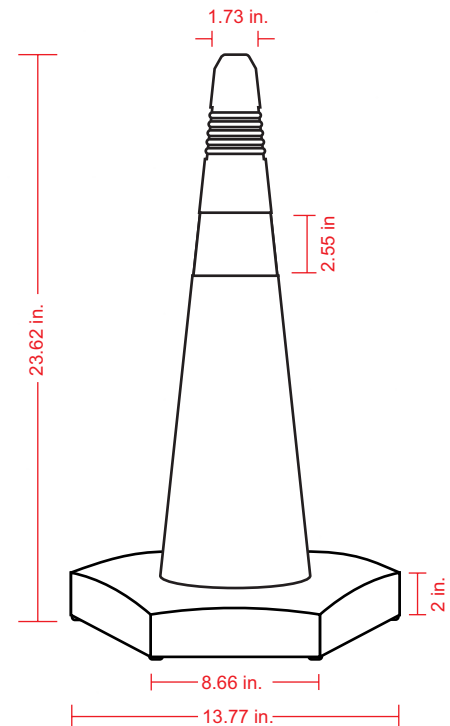
- Semi-flexible cone.
- Hexagonal base made out in one piece.
- Shock resistant solid body.
- Can be use as a traffic deviator.
- Cones are common markers on roads to redirect traffic in a safe way on a temporary basis.
- Useful to distribute lanes, to separate or to merge them, during works on-road or to make a warning due to accidents.
- Can be use indoors or outdoors.
- Its base can be ballasted with sand (included) for better stability.
- Comply with night-work standards.
- Stackable.
- Can bear winds up to 41 Mi/h.
- UV ray protected.
- Can carry reflective bands or without them.
- Optional reflective collars are very important for a better visibility to alert drivers specially during dark conditions.



Images are merely illustrative models.

Technical Data:

- * **Manufactured in:** Medium density polyethylene.
- * **Color:** Body: Traffic orange, Base: Black
- * **Aprox. weight:** 11,73 lb
- * **Measure:** Hexagonal: 8.66 in. by side.
Height: 23.62 in.
- * **Optional Reflective:** Engineering Grade.



Measures are nominal and can vary between +- 2%.