

Super Flex Cones

Code: CNSF-91 / CNSF-71 / CNSF-60 / CNSF-45



Leader don't follow steps
... marks the way

Images are merely illustrative models.



SUPERFLEXIBLE CONES ADVANTAGES

More resistant due to its material with UV protection: more than two years of life service.

Used in roadways to warn drivers about work zones, accidents or any event. These cones are idoneous for use in parking lots and for transport in car trunk whatever the occasion.

Its a product with a great demand all around the world: is stackable, useful and easy to transport.

Is also a first class device to control traffic flow in general.

FEATURES

- Super-flexible cones in 4 sizes: 17.71/ 24,8 / 28.54 /and 35.62 in.
- PVC body builded in one piece for great flexibility and impact resistance. Recover its vertical position after every run-over.
- Solid PVC quadrangular base difficult to turn down.
- Are considered as "flexible item with memory" because remember and conserve its original form.
- Also superflexible cones are good deviation markers when is necessary.
- Cones can redirect traffic in a safe matter under any weather condition.
- Useful for distribute lanes (to fussion two rails or to divide them).
- Due its design and weight can bear winds up to 40 mi/h.
- Stackable to favour transportation and storage so its a premium exportation product.
- Its reflective ring is recommended for a better operation in dark hours.

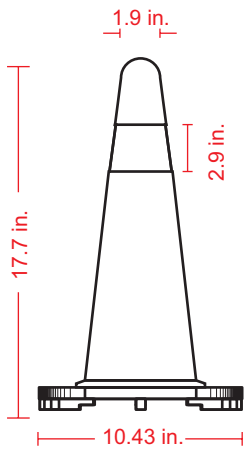


SUPERFLEXIBLE CONES

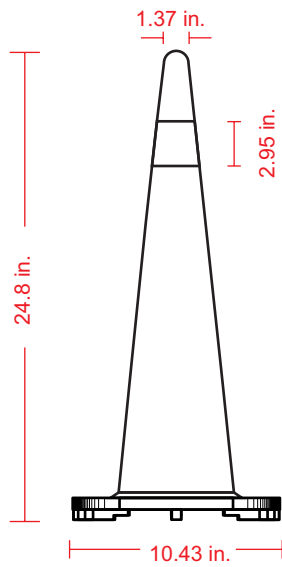
Codes: CNSF-91 / CNSF-71 / CNSF-60 / CNSF-45

Measures are nominal and can vary between +/- 2%.

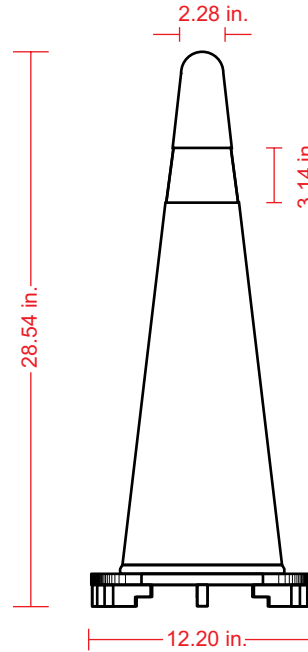
CNSF-45



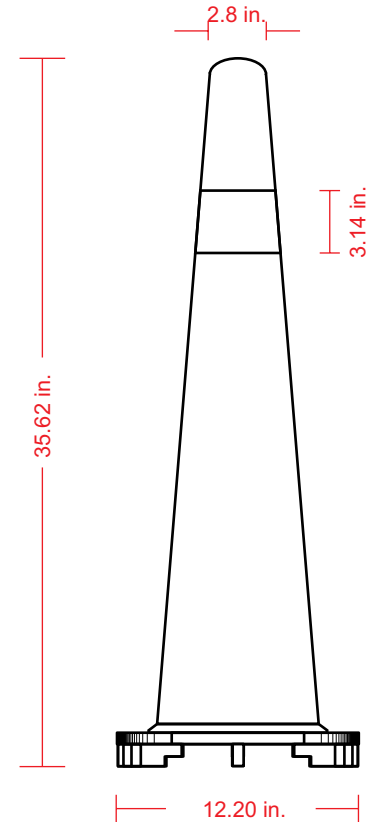
CNSF-60



CNSF-71



CNSF-91



CNSF-45 Height: 17.71 in.
Base: 10.43 in. x 10.43 in.

CNSF-60 Height: 24.8 in.
Base: 10.43 in.

CNSF-71 Height: 28.54 in.
Base: 12.2 in. x 12.2 in.

CNSF-91 Height: 35.62 in.
Base: 12.2 in. x 12.2 in.

Optional Reflective: 1 white color ring.
2 white color rings (optional)