

TRAFFIC CONE WITH LED LIGHT

Code: CN-INF-LUZ

True leaders do not follow
...they lead the way



WHAT IS THE TRAFFIC CONE WITH LED LIGHT?

- Informational and safety traffic cone: Diverts traffic while providing necessary information and features an integrated light for high visibility over long distances.
- Common applications: Suitable for schools, businesses, government facilities, parking lots, single-lane areas, valet parking, and lane separation or merging during construction projects or work zones.
- Lighting system: Fixed or flashing ultra-bright 5 mm LEDs, available in white, red, and/or amber.
- Power supply: Compatible with 100–227 VAC or solar-powered via a 15–30 Watt photovoltaic cell, equipped with a sealed deep-cycle battery (12V–7Ah / 12V–40Ah) providing at least 8 hours of operation per charge.

Features

- Semi-flexible orange polyethylene body
- Hexagonal PVC base in black, UV-resistant
- Polyethylene LED traffic sign (for cone top) in orange or yellow (other colors available on request), featuring a rounded top for a more aesthetic design
- UV-resistant
- Solid and impact-resistant
- Sand-filled base (included) for enhanced stability and anti-tipping performance
- Wind-resistant up to 70 km/h
- Complies with nighttime work standards
- Optional: one side with illumination and the reverse with informational signage
- With or without reflective bands (optional)
- Reflective strips alert drivers in low-light conditions

LIGHTING SYSTEMS

- Light control: Flashing and blinking circuit
- LED color: Red
- Number of LEDs: 1
- Approximate LED lifespan: 100,000 hours
- Light intensity per LED: 6.5 cd
- Flashing light sequence: 80 flashes per minute
- Approximate LED visibility distance: 164 yd

Electronic power system with the following features:

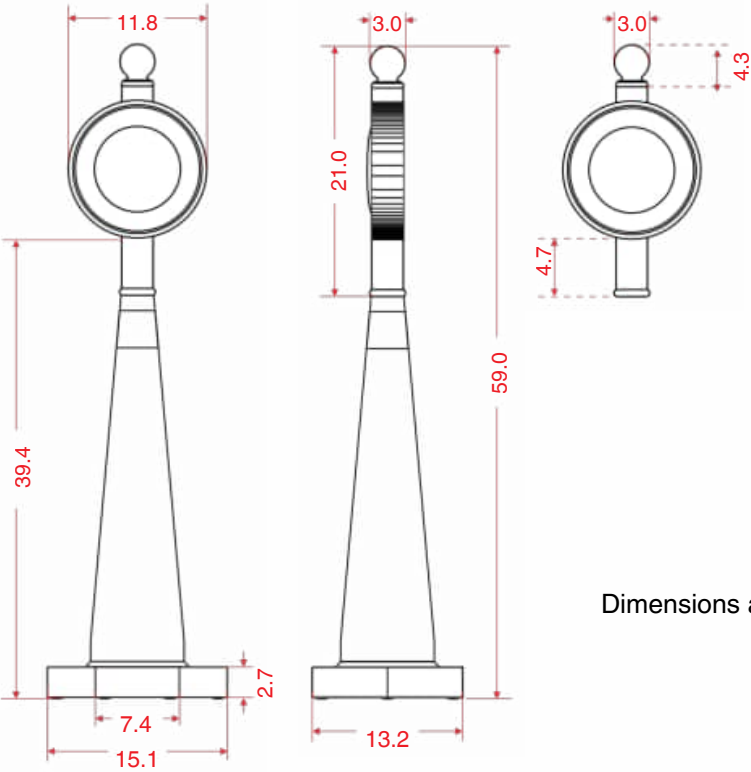
- Long-life eco-friendly batteries "D" alkaline battery
- Battery efficiency Voltage: 1.5 V- 1200 mAh
Minimum operating time: 8,640 hours
(12 months), assuming 12 hours of daily use



TRAFFIC CONE WITH LED LIGHT

Code: CN-INF-LUZ

Dimensions and other measurements are nominal and may vary by $\pm 2\%$



Mechanical Specifications

- Material:** Medium-density polyethylene with PVC base
- Color:** Body: Orange (traffic color)
Base: Black
- Approximate weight:** 13 lb
- Overall dimensions:**
- Cone:** Width: 15.1 in
Height: 59 in
- Hexagonal base: 7.4 in per side
- Paddle:** Length: 11.8 in, Width: 3.0 in
Height: 21.0 in

Dimensions are in inches

