

# Classic Bollard

Codes: PIC-CL-I / PIC-CL-R

A leader doesn't follow steps  
... he marks the way



PIC-CL-I

PIC-CL-R

## Features

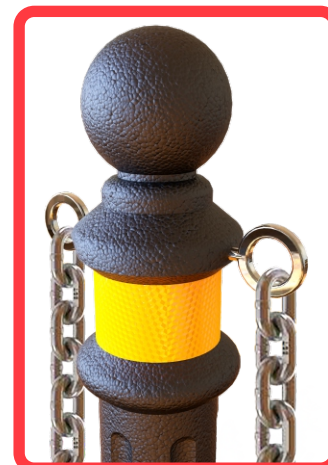
- The aesthetic of the modern and ornamental bollard makes it elegant and efficient.
- Perfect as an urban delineator.
- Contributes to a safer and high-standard environment.
- Our bollards respect the environment because they are made with recycled material.
- Made of medium-density polyethylene.
- **PIC-OB-I:** It's made of 100% recycled material and steel core. Colors: black or grey.
- **PIC-OB-R:** You can use it empty or filled with cement and steel core. Colors: granite finish, black, grey, or green.
- Weather-resistant and UV protection.
  
- A couple of steel eyebolts for a chain, two snaps, and a chain of 3/8, their load limit is 1,100 lb. for every 10 ft 10 in. between bollards (optional).
- It doesn't rust nor absorb dirt.
- Maintenance-free.
- High impact resistance.
- Anchorage by embedding.

## WHAT'S A CLASSIC BOLLARD?

An excellent road accessory that besides decorating the city, protects it.

The main function of these bollards is to delimit traffic lanes and parking spaces as well as protect pedestrian spaces where vehicles cannot pass.

Mainly suggested in public or private spaces.



*The images are merely representations of the model.*

# Classic Bollard

Codes: PIC-CL-I / PIC-CL-R

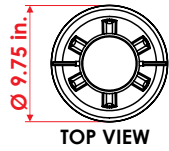
Volumes, dimensions, and other measures are nominal and may vary by approximately 2 %.

## Measures

Diameter: 9.75 in.

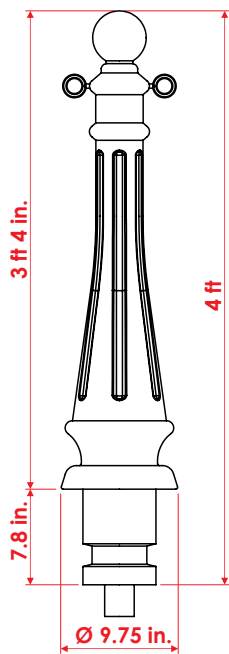
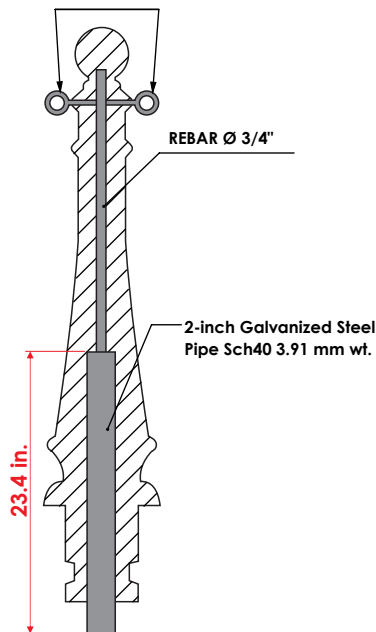
PIC-CL-I / PIC-CL-R Useful height: 3 ft 4 in.

Total height: 4 ft



TOP VIEW

### STEEL EYEBOLTS



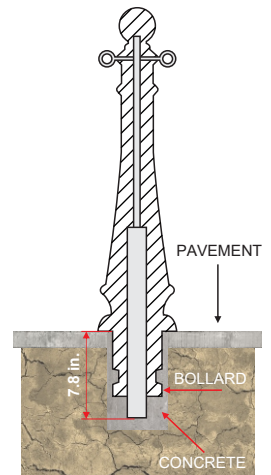
FRONTAL VIEW

### Anchorage

Mark the boreholes using the bollard as a template.  
Drill a hole of  $\text{Ø } 8'' \times 9''$  deep with a nibbler.

Once the bollard is ready, pour the mortar. Insert the bollard base.

Make sure the base is aligned.  
Your bollard is ready.



### Suggested use



The images are merely representations of the model.