

Leader don't follow steps
... marks the way



WHAT IS A CHANNELER LUMINUS?

Its a roadway device to channelize traffic road and streets in a safe and correct manner.

WHAT IS A CHANNELER LUMINOUS ?

To limit lanes during certain hours, where traffic flow orientation is inverted by authorities to compensate the different demand of the same road.

RECOMMENDED USE

In streets and avenues where are various rails, in roadways where is necessary to invert the traffic way and in places like hospitals where are some crowdly hours.

FEATURES

- Device for roadway signaling to distribute and orient rails in avenues where is needed invert the way during certain hours.
- With and idoneus width for put between the traffic rails and excellent height to avoid damages on vehicles.
- The channeler body was manufactured out in a single piece of medium density poliethylene 100% recycled, with integral colors, with UV ray protection
- All its components assembled resulting in is high impact resistant, also can bear static charge up to 10 tonnes, and up to 20 of dynamic charge.
- Flanks must be adorned and open yor with 4 reflectives.
- Not need any maintenance.

illumination system

- Luminous traffic device feeded by solar energy with intelligent illumination system that allows channelizers to communicate between them via bluetooth, to get sincronized even separated from 20 yds distance. The user just need to programme one element, and then the others get synchronized automatically.
- Lights works on base an electronic system programmable via bluetooth by means of an app for used it in phones.
- An open rail means green lighth and red for a closed one.
- Light colors must be interchanged when rails go back to normal.
- It has 12 optic points adressed to drivers sight, this points amplify light making elements even more visibles (red and green).
- With 4 solar panels with an area of 3.93 X 5.9 in. that feeds 4 battery packs, so leds can be put "on" for all day.
- 4 micas for protection (high resistance).

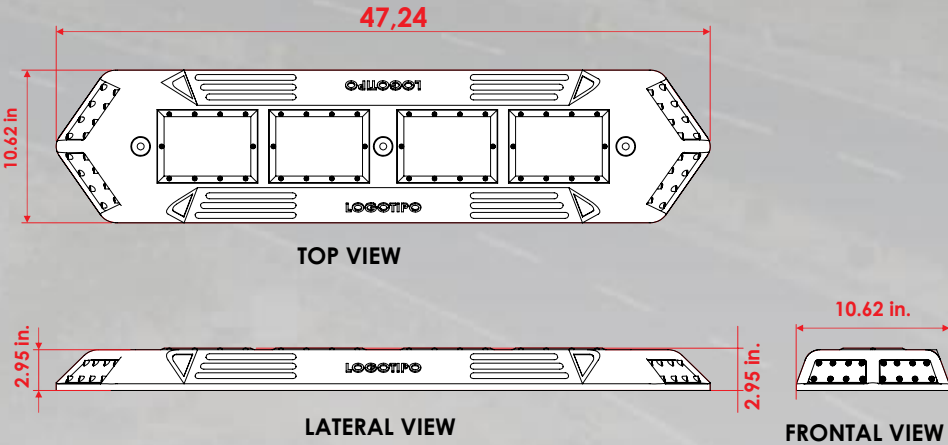


Images are merely illustrative.

Channeler Luminus

Code: CN-CF-L120

Measures are nominal and can vary, between +- 2%



Measure:	
Dimensions:	Length: 47.24 in. Width: 10.62 in. Height: 2.95 in.
Reflectives:	Laterals
Reflective colors:	Laterals White & red

Measure in inches.

Installation procedure:

- * Mark the precise place of augers, use a channeler as a template.
- * **On cement:**
 - Drill the holes with a 3/4 cement drill bit to a 7" depth.
 - Introduce "extralarge" tackets " on holes.
 - Place the channeler and put the "Ultrafix" screws, tight them with a nut socket 9/16".
- * **On asphalt:**
 - Drill the holes with a drill bit for cement 1/2" to a 8" depth.
 - Fill the auger with epoxic resine.
 - Place the channeler on its position and the anchorage (steel nails) and hammer carefully, do not harm the channeler. Your traffic device is ready.

Anchorage on cement:

- "Ultrafix" hexagonal head 3.8" x 5.9 in. screw.
- "Extralarge" tacket Ø .7 in. x 5.51 in.



Anchorage on asphalt:

Steel nail diameter 1/2" x 10 in.