

# SOLAR KAYAK-107

Code: CA-YAK-107S

We are on  
the next level!

## DISSUADES WITHOUT DAMAGING

Essential device for safe and efficient management of road in exclusive lanes, specially in zones with a high flow or vulnerable users, such as bikeways, BRT corridors and contraflow lanes.

Its innovative mechanism allow delineator post to bend and recover original position after impact without suffering structural damages.

Disegned to offer high visibility, structural resistance and convenient functionality, even in low light conditions.

Autonomous lighting powered by solar panel, that improves night visibility and in adverse climate conditions.

Exclusive lanes for public transport, bikeways, pedestrian crossings, reversible lanes, school zones, and others.

Improve road safety and organization, it doesn't requires electrical connection: easy and autonomous installation, ideal for urban zones with sustainable mobility policies.

## Features

- Flexible delineator posts, meaning, these can resist vehicle impact without damaging and allow them to recover original position even after being run over by car, ideal for zones with high risk of accidents.
- Post made of white polymer to allow light to pass and 2 reflective rings to maximize visibility.
- Guarantees stability and durability before impacts or extreme conditions
  - Kayak channelizer is manufactured in polymer, resistant to UV rays, humidity and abrasion, available in black, green or yellow with non-skid structure with reliefs and high relief edges that that avoid cyclists slip, enabling a safe interaction with channelizer, round borders that minimize risk of damages to vehicles and bicycles in case of contact with tires.
- Includes 4 threaded anchoring bolts of nylamid hidden in a lower hole to ease transports, storage and installation.

### Solar Power Supply System

- Solar cell.
- Group of 5 latest generation ultrabright LEDs.
- JVM circuit to work in flashing mode.
- LED colors: amber, red, green, blue or white.



Flexible post



Non-skid base



Hidden bolts

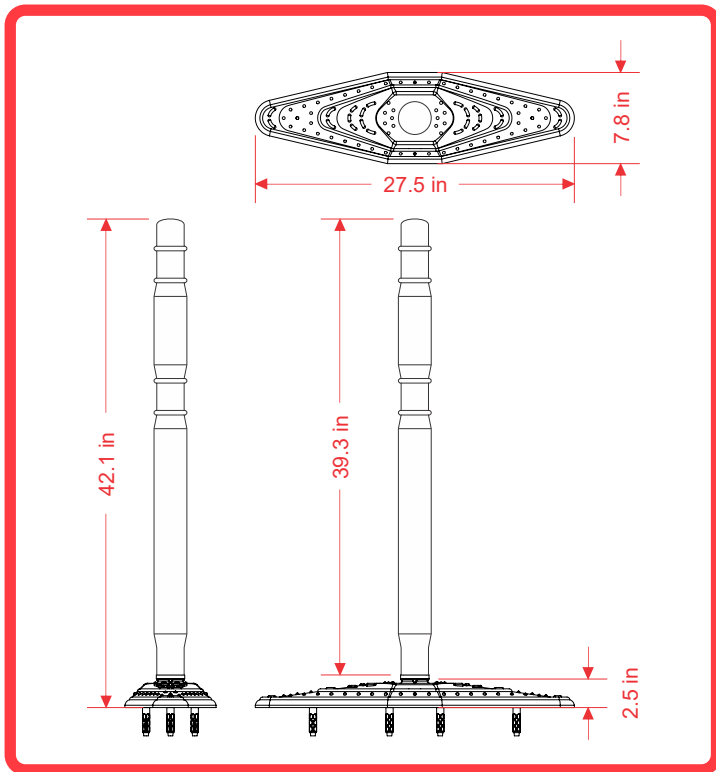


Bolt installation

# SOLAR KAYAK 107

Code: CA-YAK-107S

Measures are nominal and may vary by +/- 2%.



## MEASURES:

- \* Length: 27.5 in.
- \* Width: 7.8 in.
- \* Height: 2.5 in.
- \* Height with post: 42.1 in.

### KAYAK COLORS:

- \* Green, yellow or black.

### POST COLORS:

- \* White.

### COLOR OF REFLECTIVE BAND:

- \* White, red or amber.

### INSTALLATION

It is convenient to leave a 31.4 in to 3.2 ft separation between each element

*Note:*

Bolt removal: 4 nylamid bolts are stored in one lower hole of channelizer.

Bolt Installation: turn each bolt (until it stops) to ease placement of kayak.

Dimensions in: in

