

SOLAR KAYAK-1020

Code: CA-YAK-1020S

We are on
the next level !

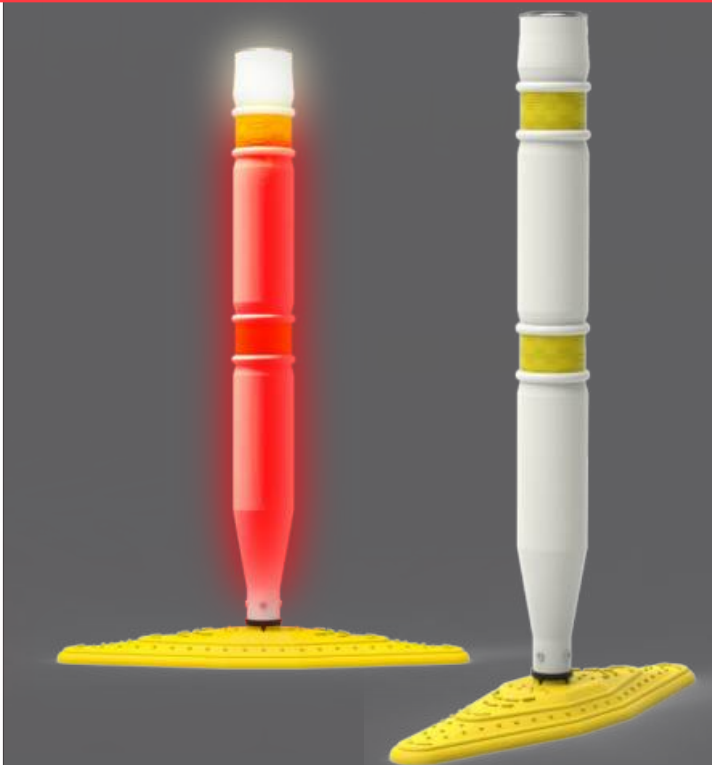
DISSUADES WITHOUT DAMAGING

The solar channelizer with synchronized light is a safe, convenient and efficient solution to delineate and protect exclusive lanes, specially in bikeways, fostering a more organized and safer urban mobility.

Designed to safeguard vulnerable users of road, this device combines high resistance materials with advanced visibility technology, positioning as an essential element for traffic management in zones with high road demand.

Its bending system has been designed to offer maximum resistance and durability before extreme wear conditions, specially in environments with high risk of constant run overs. Its innovative mechanism allow post to bend before impact and recover original position without suffering structural damages.

Ideal for urban environments, high traffic roads and zones of temporary delimitation, this system represents a significant advance in road safety and operating efficiency.



Features

- Flexible post manufactured in POLIFLEXY®, material of high flexibility and mechanical memory, this system minimizes wear due to deformation and ensure a long life span even under heavy duty; available in white translucent color allowing a better light diffusion
- Thanks to its reinforced design maintain its functionality and visual aspect over time, reducing need of maintenance or frequent replacement.
- Post incorporates 2 reflective bands of high visibility, improving safety during day and night.
- While surface of channelizer is non-skid, avoiding cyclists slip, guaranteeing a safe interaction with round borders minimizing the risk of damages to vehicles and bicycles in case of contact with tires.
- 3 available colors: black, green or yellow.
- Efficient anchoring system includes 4 threaded bolts of nylamid, hidden in a lower hole that ease transport, storage and installation.

Stand-alone solar power supply

- Equipped with photovoltaic cell of Ø85 mm.
- Latest generation LED with high intensity red light (other colors available upon request).
- Intelligent JVM circuit that allow to synchronize the functioning with other devices, optimizing performance.
- 5 hours of solar charge to work up to 12 continuous hours.



Flexible post



Solar power supply



Hidden bolts

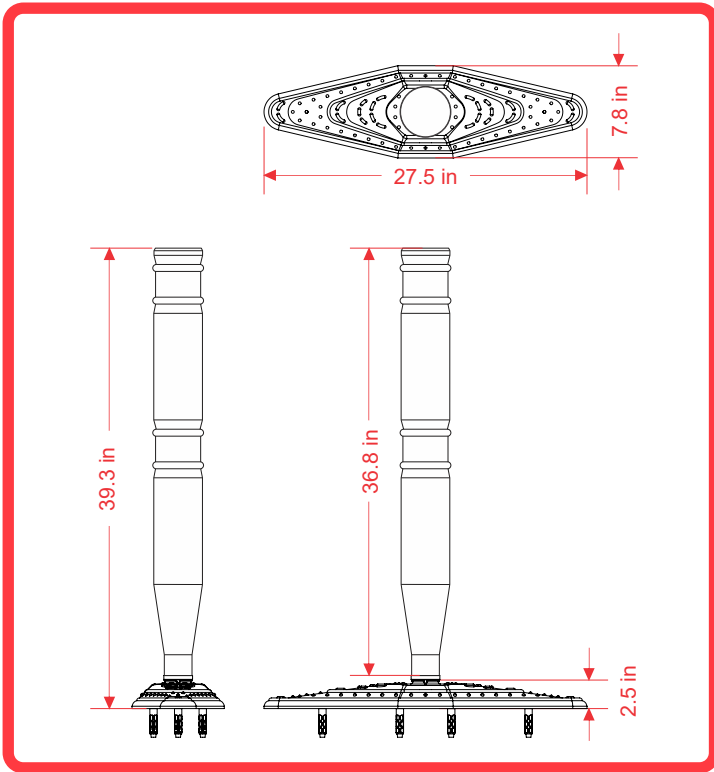


Threaded bolts

SOLAR KAYAK-1020

Code: CA-YAK-1020S

Measures are nominal and may vary by +/- 2%.



MEASURES:

- * Length: 27.5 in.
- * Width: 7.8 in.
- * Height: 2.5 in.
- * Height with post: 39.3 in.

KAYAK COLORS:

- * Green, yellow or black.

POST COLORS:

- * White.

COLOR OF REFLECTIVE BAND:

- * White, red or amber.

INSTALLATION

It is convenient to leave a 31.4 in to 3.2 ft separation between each element.

Note:

Bolt removal: 4 nylamid bolts are stored in one lower hole of channelizer.

Bolt Installation: turn each bolt (until it stops) to ease placement of kayak.

Dimensions in: **in**

