

We are on
the next level!

DISSUADE WITHOUT DAMAGING

Essential device for safe and efficient management of transit in exclusive lanes, specially in zones with high flow of vulnerable users, such as bikeways, BRT corridors and contraflow lanes.

Its innovative mechanism allow delineator post to bend and recover original position after impact without suffering structural damages.

Improve traffic safety and road organization, easy installation.



Features

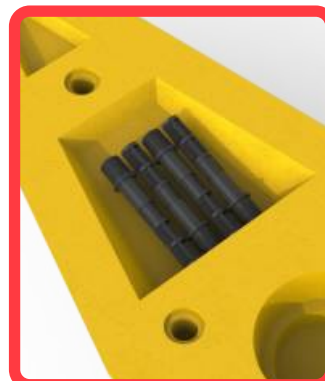
- Delineator posts have a flexible system designed to offer maximum resistance and durability before extreme wear conditions, specially in environments with high risk of constant run overs.
- Its innovative mechanism enables post to bend before impact and recover its original position without suffering structural damages.
- Post is made of polymer with 5 available colors: green, orange, yellow, blue or black, 2 reflective rings to maximize visibility.
- Guarantees maximum stability and durability before impacts or extreme conditions.
- Kayak channelizer is manufactured in polymer, resistant to UV rays, humidity and abrasion, available in black or yellow color; with non-skid structure, reliefs and high relief edges that avoid cyclists slip, allowing a safe interaction with channelizer, round borders that minimize risk of damages to vehicles and bicycles in case of contact with tires.
- Includes 4 threaded anchoring bolts of nylamid, stored in lower hole to ease transport, storage and installation.



Flexible post



Non-skid base

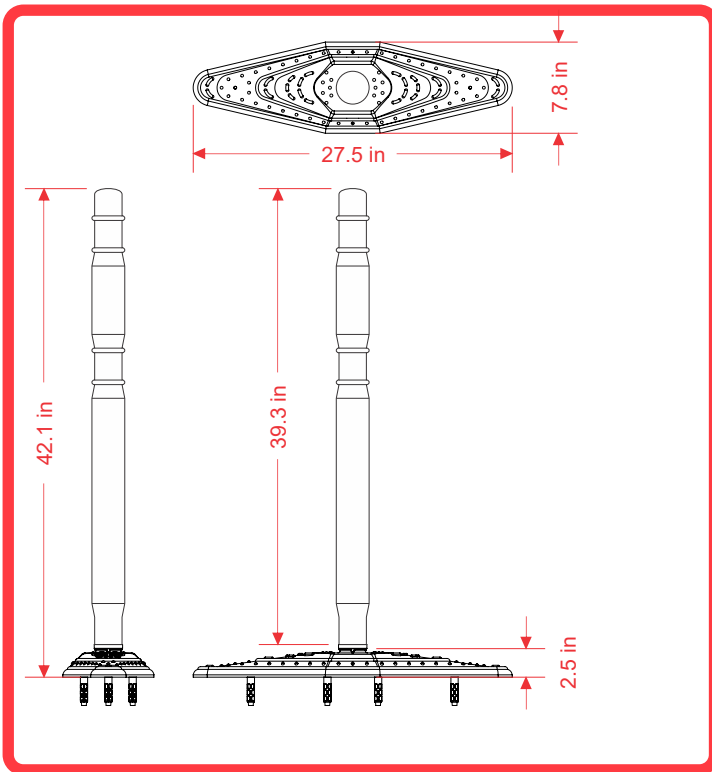


Hidden bolts



Bolt installation

Measures are nominal and may vary by +/- 2%.



MEASURES:

- * Length: 27.5 in.
- * Width: 7.8 in.
- * Height: 2.5 in.
- * Height with post: 42.1 in.

KAYAK COLORS:

- * Green, yellow or black.

POST COLORS:

- * Green, yellow, orange, blue or black.

COLOR OF REFLECTIVE BAND:

- * White, red or amber.

INSTALLATION

It is convenient to leave a 31.4 in to 3.2 ft separation between each element

Note:

Bolt removal: 4 nylamid bolts are stored in one lower hole of channelizer.

Bolt Installation: turn each bolt (until it stops) to ease placement of kayak.

Dimensions in: in

