

We are on
the next level!

DISSUADES WITHOUT DAMAGING

The flexible post is a safe, convenient and efficient solution to delimitate and protect exclusive lanes, specially in bikeways, fostering a more organized and safer urban mobility.

Designed to safeguard vulnerable users of this path, this device combines high resistance with advanced visibility technology, being considered as an essential element for traffic management in zones with high road demand.

Its bending system has been designed to offer maximum resistance and durability before extreme wear conditions, specially in environments with high risk of constant run overs. Its innovative mechanism allow post to bend before impact and recover original position without suffering structural damages.

Ideal for urban environments, high traffic roads and zones of temporary delineation, this system represents a significant advance in road safety and operating efficiency.



Features

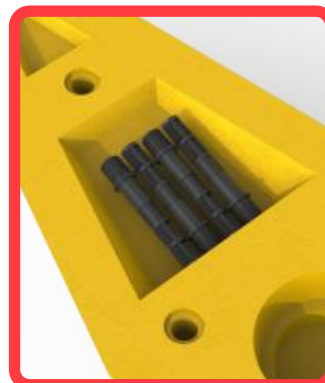
- Flexible post manufactured in POLIFLEXY®, material of high flexibility and mechanical memory, this system minimizes wear due to deformation and ensure a long life span even under heavy duty use; available in white translucent color allowing a better light diffusion.
- Available color: orange, yellow, blue, green or black.
- Thanks to its reinforced design, maintains functionality and visual aspect over time, reducing need of maintenance or frequent replacement.
- Post incorporates 2 reflective bands of high visibility, improving safety during day and night.
- Non-skid surface of channelizer to avoid cyclists slip, guaranteeing a safe interaction with round borders, minimizing risk of damages to vehicles and bicycles in case of contact with tires.
- Available in 3 colors: green, black or yellow.
- Efficient anchoring system includes 4 threaded bolts of nylamid, hidden in a lower hole that ease transport, storage and installation.



Flexible post



Anti-slip base

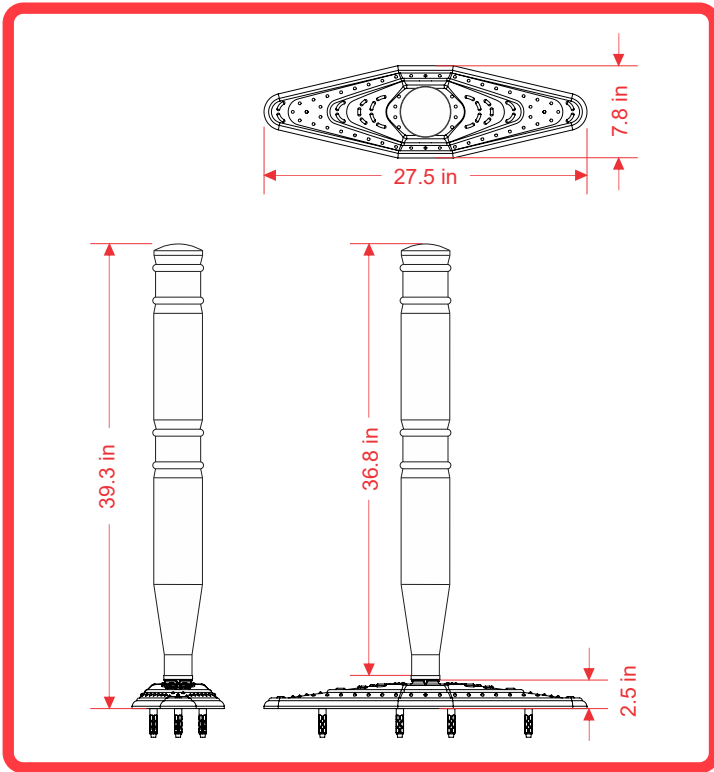


Hidden bolts



Bolt installation

Measures are nominal and may vary by +/- 2%.



MEASURES:

- * Length: 27.5 in.
- * Width: 7.8 in.
- * Height: 2.5 in.
- * Height with Post: 39.3 in.

KAYAK COLORS:

- * Green, yellow or black.

POST COLORS:

- * Green, yellow, orange, blue or black.

COLOR OF REFLECTIVE BAND:

- * White, red or amber.

INSTALLATION

It is convenient to leave a 31.4 in to 3.2 ft separation between each element.

Note:

Bolt removal: 4 nylon bolts are stored in one lower hole of channelizer.

Bolt Installation: turn each bolt (until it stops) to ease placement of kayak.

Dimensions in: in

