

H7-25 Channelizer

Code: CAN H7-25

We have taken road safety
to the next level!

Safety, Secured by Innovation

Road channelizers provide a simple and cost-effective solution to enhance safety and organization on roads with bike lanes.

They clearly delineate spaces exclusively for cyclists without requiring major investments or modifications to existing infrastructure.

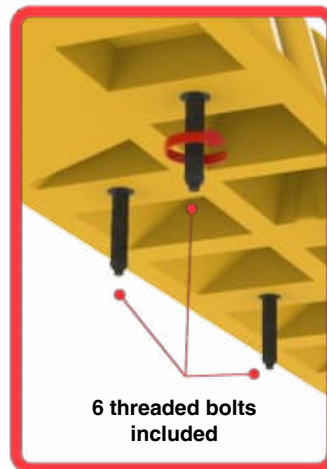
These lane separators increase cyclists' confidence by keeping them within their lane and reducing the risk of vehicle encroachment.

Additionally, these devices help motorists identify and respect bike lanes, promoting safer and more orderly urban mobility.

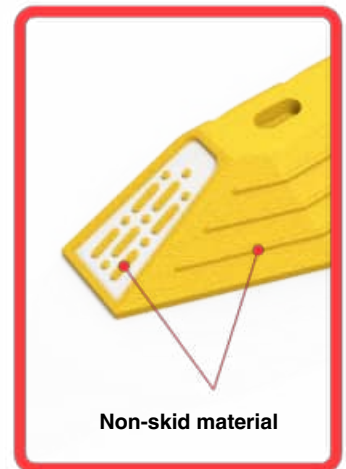


Features

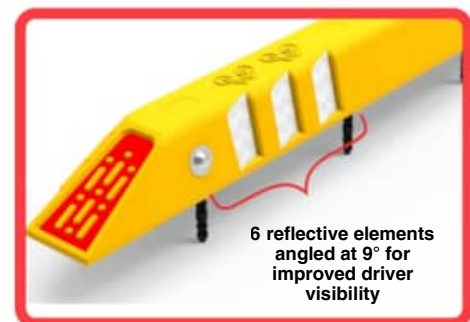
- A modern and durable solution for bike lane safety and lane delineation.
- **Material:** Manufactured from yellow or green polymer in a single piece using extrusion molding, with UV protection.
- **Durability:** Resistant to extreme sunlight and humidity, maintaining color and integrity.
- **Safety edges:** Rounded edges minimize injury risk in case of contact.
- **Side ramp:** Features anti-skid ribs to prevent falls if a wheel accidentally rolls onto the bollard.
- **Reflective elements:** Fitted with six reflective stripes on the ends and sides for optimal daytime and nighttime visibility.
- **City Lux System:** Enhances headlight reflection, generating flashes that effectively alert drivers.
- **Customization:** Option to include a logo on the side or top, suitable for municipal or corporate projects.
- **Mounting:** Six high-strength threaded bolts provide maximum stability, preventing detachment without additional metal anchors.



6 threaded bolts
included



Non-skid material



6 reflective elements
angled at 9° for
improved driver
visibility

H7-25 Channelizer

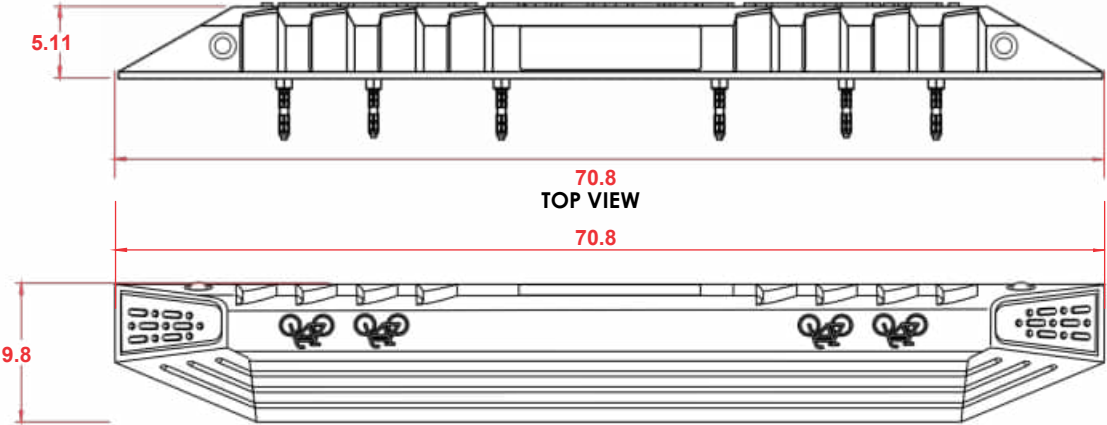
Code: CAN H7-25

Dimensions and other measurements are nominal and may vary by $\pm 2\%$

Dimensions are in **inches**

FRONT VIEW

SIDE VIEW



Installation:

Dimensions

Total	Length: 70.8 in Width: 9.8 in Height: 5.11 in
Reflective elements	Amber, white and red

- Place the H7-25 device as a template and mark the six boreholes.
 - Using a drill and a 7/32" bit, make the marks on the floor.
 - Remove the template and drill the holes with a 1 1/4" bit to a depth of 6".
 - Screw in the six bolts.
 - Fill the boreholes with epoxy and place the piece onto the bolts.
 - Tap the piece with a rubber mallet until it sits flush with the floor.
 - If the edges remain raised, apply weight on the piece for approximately two hours to ensure it aligns properly with the floor.
- Note:** It is recommended to use soapy water when inserting the bolts into the channelizer; this facilitates their installation.

