

# TRIPARE TRAFFIC LANE CHANNELIZER

Code: CAN-TRI-894

A leader doesn't follow steps, **he marks the way.**

## WHAT'S A TRAFFIC LANE CHANNELIZER?

This device is perfect for safely channeling or directing vehicular traffic, cyclists, or pedestrians.

It has a modular base and a flexible bollard with reflective that grants it better visibility at night.

Optimizes traffic flow and promotes road safety.

This traffic lane channelizer is perfect for contraflow or bike lanes, to separate special lanes, delimit danger zones, etc.



## Features

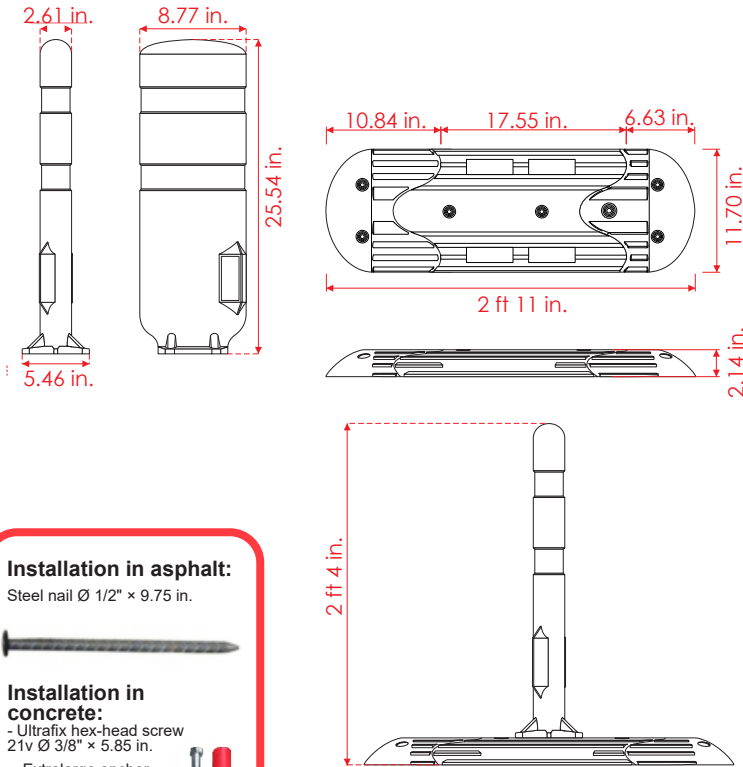
- Every middle section has a length of 17.55 in. You can add as many as you want according to your needs.
- Impact and rolling resistance.
- UV protection.
- The material of the base is polyethylene in black or yellow, and the bollard is made of Poliflexy® in orange or yellow.
- The lightweight body makes it easy to transport.
- The rounded edges provide great security in case of collision.
- It doesn't have metallic parts and doesn't break, fragment, or damage vehicles or people.
- It includes two reflective stripes that make it visible at greater distances by increasing its visibility with the reflection of car lights.
- The bollard bears hits and impacts, returning to its original shape every time.
- The male-female assembly is composed of a middle section and two end caps.
- It can be installed with steel nails or Extralarge anchors.
- Maintenance free.



# TRIPARE TRAFFIC LANE CHANNELIZER

Code: CAN-TRI-894

Volumes, dimensions, and other measures are nominal and may vary by approximately 2%.



## Installation in asphalt:

Steel nail  $\varnothing$  1/2"  $\times$  9.75 in.



## Installation in concrete:

- Ultrafix hex-head screw  
21v  $\varnothing$  3/8"  $\times$  5.85 in.  
- Extralarge anchor  
 $\varnothing$  0.70 in.  $\times$  5.46 in.



## Measures

### BASE

\* **Material:** HDPE.  
\* **Measures:** Length: 2 ft 11 in.  
Width: 11.70 in.  
Total height: 2.14 in.  
\* **Color:** Yellow and black.

### BOLLARD

\* **Material:** Poliflexy®.  
\* **Measures:** Height: 25.54 in.  
Length: 8.77 in.  
Width of the base: 5.46 in.  
\* **Reflective:** High-Intensity grade reflective stripes.  
\* **Body color:** Orange or yellow.  
\* **Approx. weight:** 15.79 lb.

## Installation on concrete:

- 1.- Use the base as a template and mark the boreholes.
- 2.- Bore into the holes with a drill and a 3/4" concrete drill bit to a depth of 7".
- 3.- Fill the borehole with epoxy glue.
- 4.- Place the anchors and the lane separator. Insert the 3/8"  $\times$  5.85 in. screws with the flat washers.
- 5.- Tighten the screws with a 9/16 socket wrench.

## Installation in asphalt:

- 1.- Use the base as a template and mark the boreholes.
- 2.- Bore into the holes with a drill and a 1/2" concrete drill bit to a depth of 7".
- 3.- Fill the borehole with epoxy glue.
- 4.- Place the bollard and insert the nails.
- 5.- Carefully pound the nails using a hammer.

