

A leader doesn't follow steps,  
marks the road...

## WHAT'S A SOLAR PAV.MARKER?

Solar round pavement marker, used in restricted areas, reduce speed in urban streets.

Also used to separate lanes in zones where authority prohibits to over take or changes of lane, for safety purposes.

In addition is used as an alternative to conventional bumps of concrete with the purpose of being stronger at the moment of the impact.

Element that can be solar to alert motorists at distance.



## FEATURES

- Manufactured in steel of 11-gauge, with non-deformable, resistant and durable body; it offer low friction to tires.
- Yellow powder coating, this coating is the best to this type of products that are impacted by many tires of vehicles, known as "electrostatic", is until now, the best option in market.
- Adaptable to any even pavement of bearing surface.
- Arrow and text of CIRCULATION in low relief, that indicates the mounting position in reference to the direction of traffic of vehicles.
- The piece has 4 boreholes of 1/4" for an easy installation of 4 steel nails of 2" (included).
- It doesn't need maintenance.
- Great visibility during day and night thanks to solar sphere.
- Sphere is manufactured in polycarbonate; lighted with latest generation SMD LEDs.
- Colorless and transparent making light passes and can be seen from any point of view.
- Easy to synchronize.

### LIGHTING SYSTEM

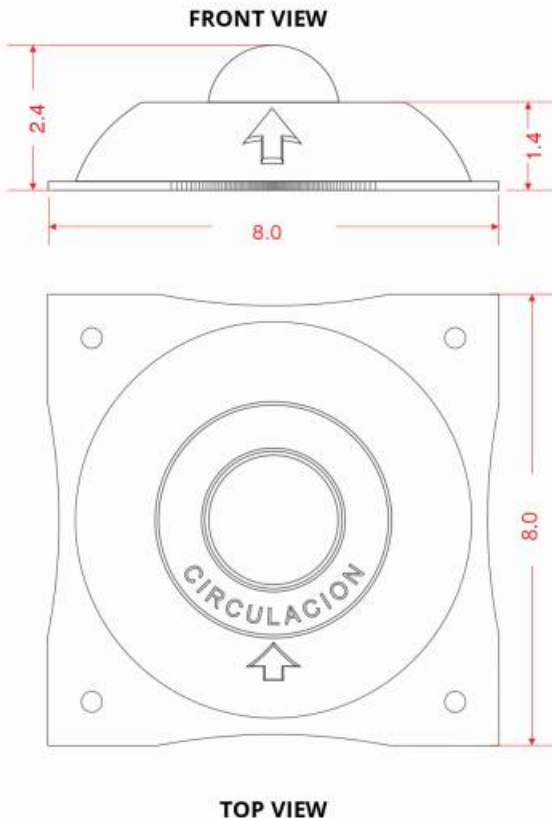
- Solar cell
- 2 lithium polymer batteries
- Ultra-bright LEDs (amber, green, white, red or pink color).
- Flashing light.



# SOLAR ROUND PAVEMENT MARKER 205

Code: BAS-205

Dimensions and other measures are nominal and may vary by +/- 2%.



## Measures

### Pavement Marker

- \* Pavement marker manufactured in: 11-gauge steel
- \* Measures of pav.marker: Length: 8.0x8.0 in. Height: 1.4 in, Total height: 2.4 in
- \* Color of pav.marker: Yellow
- \* Compressive strength (load): 26,000 kg/cm2 (369806.93 lb/in2)

### Sphere

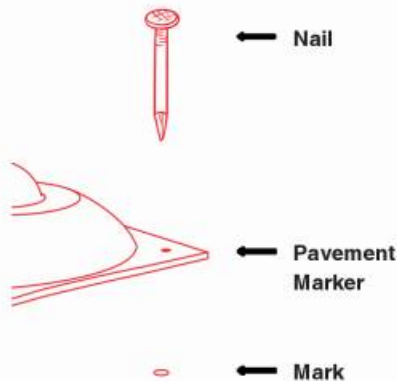
- \* Made of: Polycarbonate
  - \* Measures: Diameter 2.2 in. Height: 1.1 in
  - \* Color of presentation: Natural
- Reflector: LED in amber, green, red, pink or white color



## Installation

- First, prepare the surface which must be clean and dry; then, mark the distribution of each pavement marker for its installation.
- Mark the four boreholes, place the pavement marker and start hitting the nails.
- In case of using **epoxy resin** only, add this in the lower part of the device and make sure to cover correctly the edges, exert some pressure, it doesn't matter if spills out, this helps to its adherence.

**Note:** Use epoxy resin and nail, if desired, for a better fastening.



## EPOXY RESIN PREPARATION

- Compound equal amounts of "a" + "b" substances.
- Stir until a homogeneous mixture is obtained.
- Once you are done, dispose of the epoxy resin residuals (it is for single-use only).