

A leader doesn't follow steps, **he marks the way.**



WHAT'S A PVC ROAD STUD?

This horizontal road traffic control device works mainly as a speed hump, parking stop, or zone delineator in roadways, highways, and city streets.

One-of-a-kind design. It channels traffic flow bringing safety to the proximities of dangerous zones.

Features

- It's specially designed to delimit and channel vehicles.
- Offers low friction to tires.
- Nondeformable body against hits and impacts.
- Temperature, humidity, and oil resistance.
- UV protection.
- Black with four vulcanized yellow triangles.
- It's highly visible during the day and night.
- It adapts to any surface.
- Made specially to endure heavy traffic.
- The assembly can be permanent or temporary.
- Safer, long-lasting, and lightweight.
- It doesn't break, collapse, cracks, or rot.
- Maintenance-free.
- Easy to install by a single person:
Put the screw with the *Extralarge* anchor on the borehole.
It includes a cap that covers the screw making it more aesthetic.



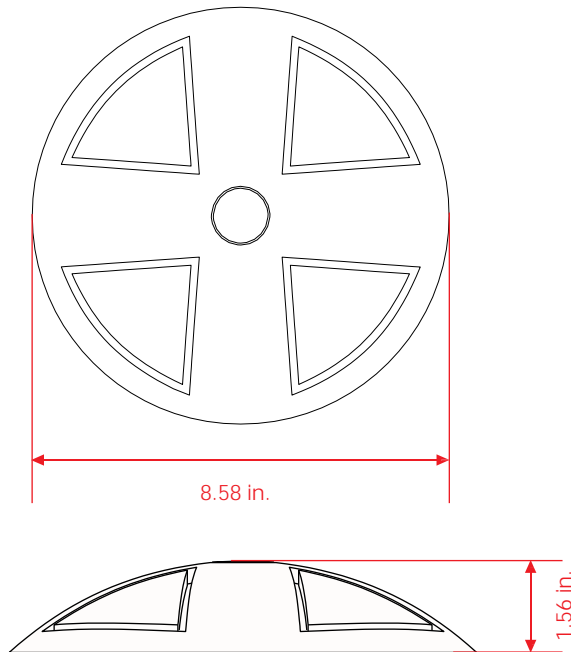
PVC ROAD STUD

Code: BPVC-22

Volumes, dimensions, and other measures are nominal and may vary by approximately 2%.

Measures

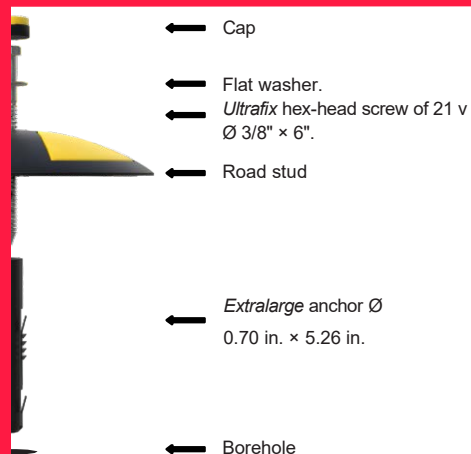
Material:	PVC.
Measures:	Diameter: 8.58 in. Height: 1.56 in.
Weight:	1.80 lb.
Color:	Black with yellow triangles.



Installation

The surface needs to be dry and clean.
Mark the distribution of every road stud.

- **Extralarge anchors:** Bore into the holes with a $\frac{3}{4}$ " concrete drill bit to a depth of 7". Insert the anchors. Place the road stud. Put the screws and $\frac{3}{8}$ " flat washers with a $\frac{9}{16}$ " socket wrench. Finally, perfectly tighten the screws.
- Note: You can apply epoxy glue to the base to reinforce (optional).



EPOXY GLUE PREPARATION:

1. Mix equal amounts of the "a" and "b" formulas.
2. Stir until the formulas are well combined.
3. Since you can only use it once, get rid of the remaining epoxy glue once the job is finished.