

MULTI-VIEW ROAD STUD

Code: BT-MUL

A leader doesn't follow steps, **he marks the way.**



WHAT'S A ROAD STUD?

A retroreflective lane marker specially developed to effectively delimit and channel the route in low visibility conditions on highways, streets, parking lots, bike lanes, pedestrian crossings, etc.

Since it's useful, discreet, and practical, it doesn't distract the driver but draws their attention due to its reflective elements.

It's placed over the road surface and is perfect for channeling vehicle traffic, indicating circulation, making drivers reduce their speed, delimiting lanes, etc.

The spheres make it reflect which grant it better visibility at night.

It saves up to 6 times the costs of thermoplastic road marking paint.

It cuts down 50% of time and materials.

Ideal in pedestrian zones, crossings, turnouts, and delimit parking lots.

Features

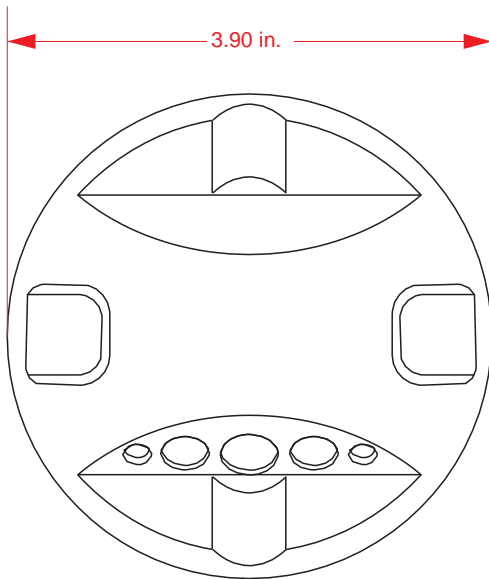
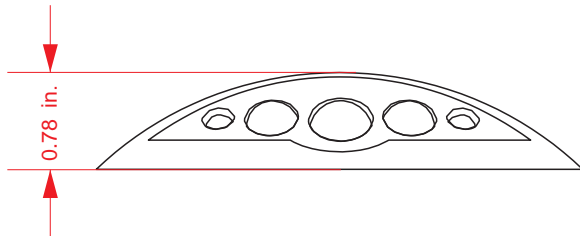
- Made of ABS.
- Colors: Yellow, white, blue, red, and green.
- UV protection.
- It includes 5 metallic reflective acrylic spheres and you can add them on one or both sides of the road stud.
- It's perfect to confine and delimit lanes of one or two-way roads.
- You can place them on every type of road.
- It can bear the passage of vehicles from bicycles to semi-trailer trucks.
- It doesn't break or lose its shape.
- Long-lasting due to its materials and manufacturing methods.
- It has the option of adding a bolt for optimal grip on the floor.
- Since the ABS bolt doesn't break and simply wears out, it doesn't damage tires in case of detachment.
- Easy to install and maintenance-free.
- High resistance to wear and tear, friction, weight, humidity, and rainwater.
- Usually, its installation needs epoxy glue. This glue is characterized by having high resistance to temperature, physical and chemical agents, and an excellent fastening and long-lasting service life.



MULTI-VIEW ROAD STUD

Code: BT-MUL

Volumes, dimensions, and other measures are nominal and may vary by approximately 2%.



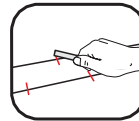
Measures

Total	Diameter: 3.90 in. Height: 0.78 in.
Reflective:	Acrylic spheres.
Reflective color:	Amber, white, red, blue and green.

Installation.

The installation is done by hand, usually with epoxy glue.

- 1.- The surface needs to be dry and clean. Mark the road stud distribution (we recommend every 10 in. in staggered formation).
- 2.- Apply epoxy glue on the back of the road stud. Make sure it's completely covered, especially the corners (approx. 3.5 oz).
- 3.- Put the road stud and press it. It doesn't matter if the glue pours out.
- 4.- In the case of having a bolt bore into a hole with a 1/2" drill bit to a depth of 3". Remove the excessive dust and return to step 2.
- 5.- Let it dry for approximately 2 h.



NOTE:

EPOXY GLUE PREPARATION

MIX EQUAL AMOUNTS OF THE "A" AND "B" FORMULAS.

STIR UNTIL THE FORMULAS ARE WELL COMBINED.

SINCE YOU CAN ONLY USE IT ONCE, GET RID OF THE REMAINING EPOXY GLUE ONCE THE JOB IS FINISHED.