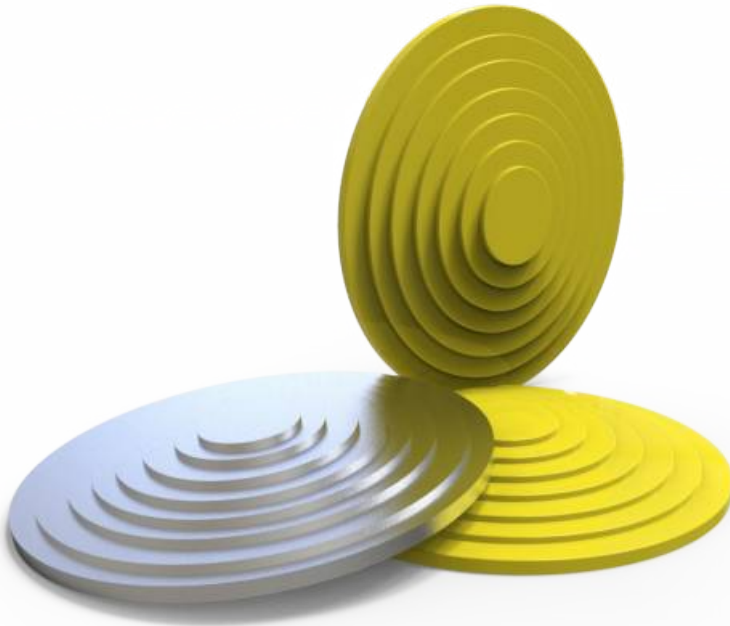


Button Guide for Blind Persons

Code: BT-G-IN-AB / BT-G-IN-AL

Leader don't follow steps
... marks the way

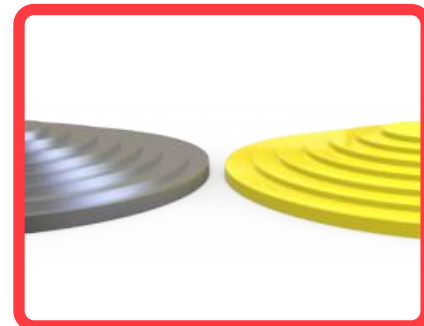
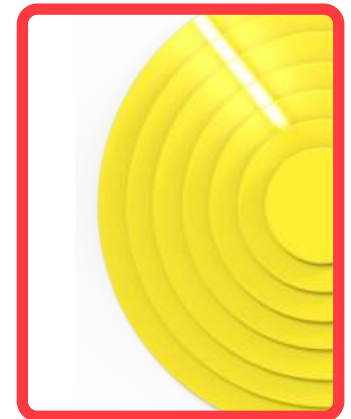


WHAT IS A MICROBUTTON?

- Microbuttons are signalisation to mark an special corridor on floor for pedestrians that can be perceived with their feet or with a walking stick, its podo-sensitive.
- This way little buttons avoid sightless people to cross a speed vehicle road and save them out of other dangers.
- Various items along the sidewalk form a vibration warning also for drivers and cyclist. Are useful for conduce blind persons to a protected zones and to alert others.
- The buttons has idoneus size.

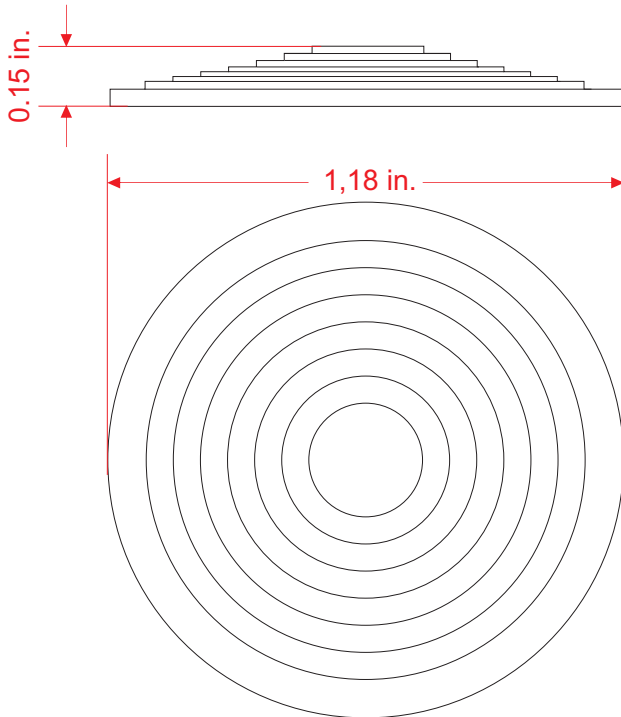
FEATURES

- The microbutton works to favour blind persons.
- Is a tactile podo-signal with an anti-slippery bezel.
- Is shock and weathering resistant, also has integrated UV ray protection.
- Its main objective is prevent accidents, warn other people, and vehicle drivers and to provide a safe and trusty way for handicapped people.
- The microbutton armonize with pavement.
- Very useful in pedestrian zones, crossings, turns, public and private areas.
- Microbuttons discret design avoid inconvenience for conventional pedestrians, cyclists and else.
- Has notches for easy handle and installation.
- Made out in ABS plastic or aluminium in natural color.



Button Guide for Blind Persons

Code: BT-G-IN-AB / BT-G-IN-AL



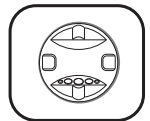
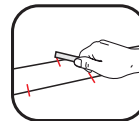
Measure

Total	Diameter: 1,18 in. Height: 0,15 in
Colors:	ABS yellow and natural aluminium .

installation procedure

Installing must be done hand-made with recommended epoxic glue

- 1- Prepare the surface. Must be clean and dry. Mark installation site into a triangular pitch scheme of 10 inches.
- 2- Put epoxic glue on all the button's reverse surface (3.5 oz aprox.).
- 3- Place the button and press it (Pressing is important for a strong fixation).
- 4- Other installation way implies fixing with glue and with a bolt. In that case perforate floor with a 1/2" bit drill to a 3" depth. Go to step 2.
- 5- Dry time is about two hours.



NOTE: DIRECTIONS FOR PREPARING TWO COMPONENTS EPOXIC GLUE

TAKE SIMILAR QUANTITIES OF
BOTH COMPONENTS
"A" + "B".

MAKE A HOMOGENEOUS MIX.

ATTENTION:

LEFTOVERS OF EPOXIC GLUE
MUST BE CASTAWAY,
IS FOR ONE TIME USE ONLY

