

Luminus Bollard

Code: PIC-LUS-1125

A leader doesn't follow steps
... he marks the way



WHAT'S A LUMINUS BOLLARD?

An efficient bollard specially made for marking, signaling, and illuminating roads, parks, and pedestrian areas. The robustness of its body and its corrosion resistance makes it incomparable.

The main function is to avoid vehicles invading forbidden zones and **delimit pedestrian areas and roads**.

USES

It's recommended to install it in rows avoiding vehicles trespassing on sidewalks or pedestrian areas.

Features

- Modern and ornamental bollard, its aesthetic makes it elegant.
- Heavy-duty material that supports the daily elements.
- Contributes to a safer and high-standard environment.
- **Made of polyethylene.**
- Maintenance-free. User friendliness.
- UV protection.
- Great durability.
- The base needs to be embedded in concrete.
- Illuminated.
- The dome top is made of polycarbonate which makes it aesthetically attractive.
- An acrylic diffuser that spreads light evenly.

SOLAR LIGHTING SYSTEM

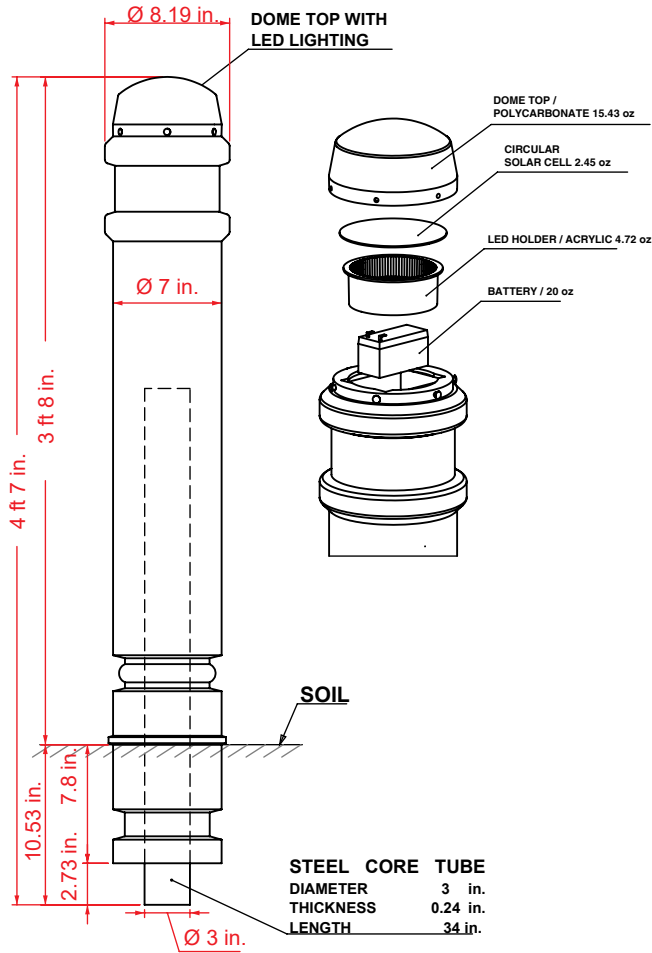
- Lighted system of LEDs through a solar cell.
- A backup battery that guarantees its performance for 14 to 16 hours when it's fully loaded in broad sunlight.



Luminus Bollard

Code: PIC-LUS-1125

Volumes, dimensions, and other measures are nominal and may vary by approximately 2 %.



Measures

Total

Useful height: 3 ft 8 in.

$\varnothing 8.19$ in.

Reflective:

A reflective stripe of 22 in. x 3 in. height

Reflective color:

Amber or white.

Approx. weight:

77 lb.

Mark the boreholes.

Drill a hole of $\varnothing 10'' \times 13''$ deep with a nibbler.

Insert the base of the bollard.

Make sure to fill it with cement to be well-grounded.

