

# Hado Bollard

Code: PIC-HA-I

A leader doesn't follow steps  
... he marks the way



## WHAT'S AN HADO BOLLARD?

A highly resistant and protector urban ornament, they are safety delineators.

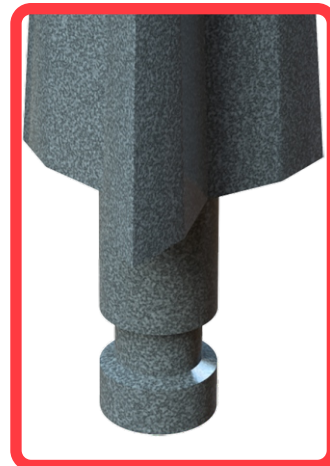
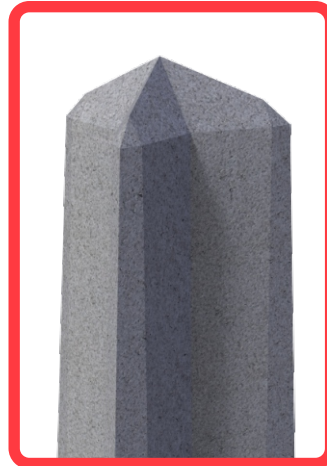
The main function is to avoid vehicles invading forbidden zones and delimit pedestrian areas and roads.

It's recommended to install it in rows avoiding vehicles trespassing on sidewalks or pedestrian areas.



## FEATURES

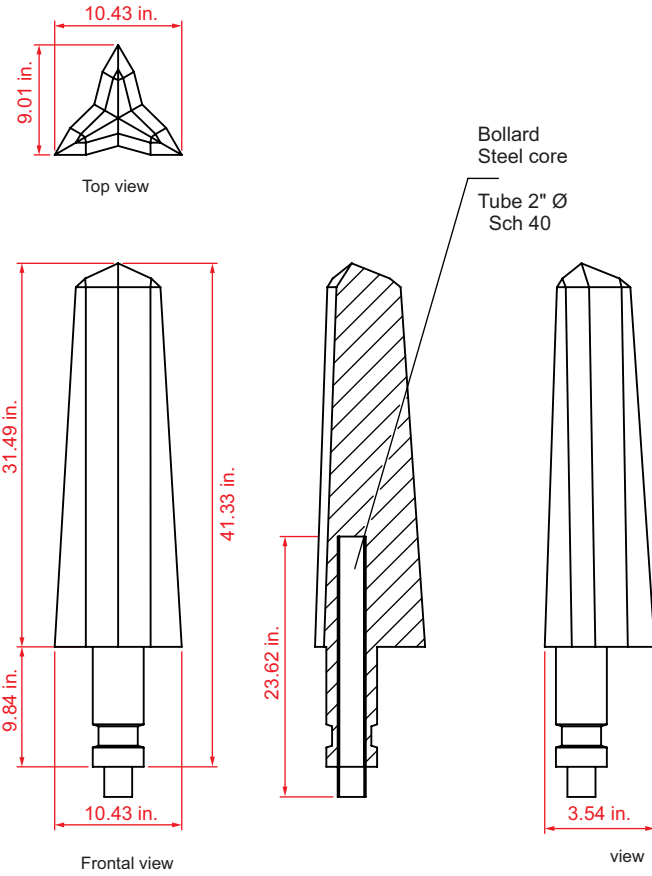
- Functional and spectacular design. It stands out thanks to its robust body.
- The geometric form gives it a distinctive touch and it has a black or grey finish.
- Contributes to a safer and high-standard environment.
- Solid-body made of medium-density polyethylene. 100% recycled.
- It has a steel core which makes it even more impact resistant.
- Pyramid-shaped finish.
- It has weather, oil, acids, humidity, and seawater resistance. Also, it doesn't degrade or chip. It's anti-graffiti. It doesn't absorb water and dries quickly.
- 100% ECO-FRIENDLY. Made from recycled products and it's recyclable.
- Long working life and pollution-free.



# Hado Bollard

Code: PIC-HA-I

Volumes, dimensions, and other measures may vary by approximately 2 %.



## Measures

**Useful height:** Height: 33.46 in.  
Width: 10.23 per side

**Approx. weight:** 34.08 lb.

Bore into a hole of  $\text{Ø } 8'' \times 10''$  deep with a nibbler. Insert the base of the bollard. Make sure to fill it with cement to be well-grounded.

