

Stainless Steel Tuscany Bollard

Code: BTOS-INOX-F / BTOS-INOX-A

A leader doesn't follow,
marks the way...

WHAT BOLLARDS ARE?

Device manufactured in 11-gauge stainless steel, this is designed to prevent forbidden parking and warn to motorists of areas for pedestrians. Perfect to maintain order and security in spaces with high pedestrian flow, ensuring these are free of obstructions and well delineated. Ideal for hotels, malls, government buildings, auditoriums, etc.



FIXED
BOLLARD



FLEXIBLE
BOLLARD

Features

- Tuscany bollard combines a classic design and significant presence with the necessary functionality and adaptability for any environment.
- Elegant design that adapts to diverse environments, adding a sophisticated touch to any space.
- Manufactured in stainless steel, guaranteeing durability and resistance.
- It offers a resistant option to humidity and extreme temperature changes, ensuring longevity in different climate conditions.
- Available Versions:
- Fixed: Equipped with steel base that maintains still, ideal for areas that require a permanent delineation.
- Flexible: ABS base and inner system that allow bollard to tilt in case of impact, recovering vertical position automatically.
- It perfectly adapts to any environment, from urban areas to commercial and residential spaces.
- Made to resist the heavy duty use and time inclemency, maintaining its aspect and functionality.
- Tuscany bollard not only provides a functional solution to delineate areas, but provides an aesthetic and elegant design that enhances any environment.



Stainless Steel Tuscany Bollard

Code: BTOS-INOX-F / BTOS-INOX-A

Measures are nominal and may vary by +/- 2%.

Dimensions in: in

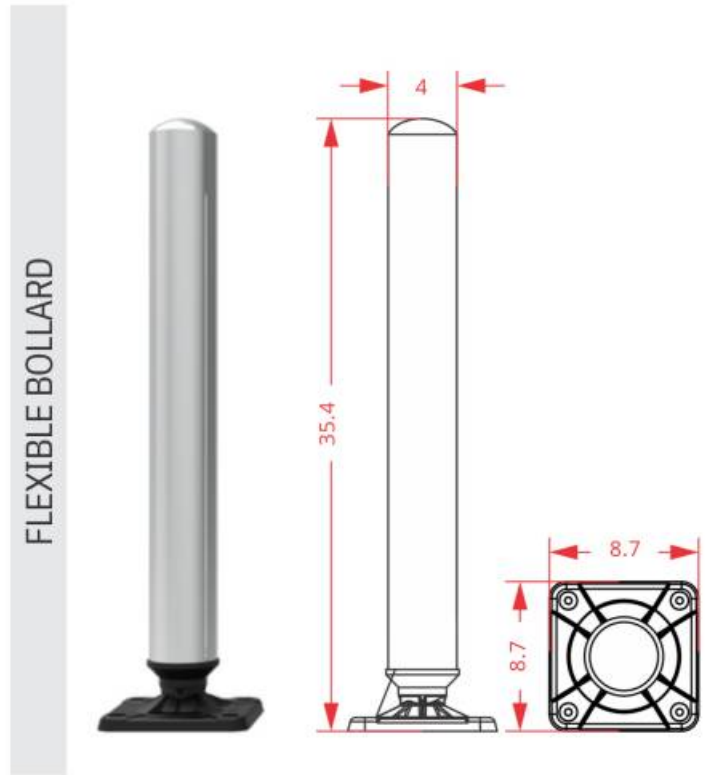
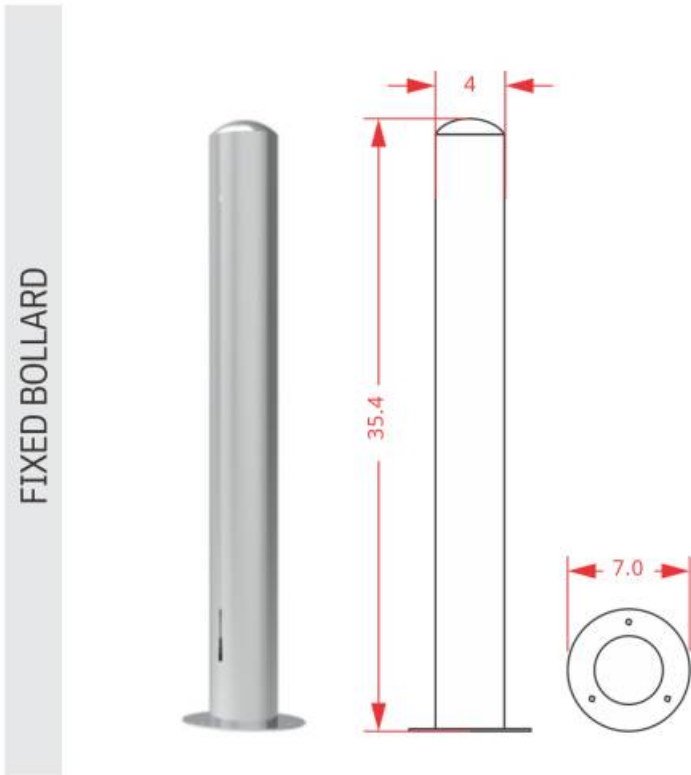
Measurements

Fixed

Body Diameter: 4.00" (10.16 cm)
Base Diameter: 7.0" (18.0 cm)
Total Height: 35.4" (90.0 cm)

Flexible

Body Diameter: 4.00" (10.16 cm)
Base: 8.7 x 8.7" (22.3 x 22.3 cm)
Total Height: 35.4" (90.0 cm)








Anchoring
 21 v Ø 3/8" x 5.9" Hex Head Ultrafix Screw
 Ø 0.7" x 5.5" Extralarge Anchors

Anchoring System

Mark the boreholes where the bollards will be placed.
 Drill the boreholes with a 3/4" drill bit for concrete to a 7" depth.
 Insert the extralarge anchors in every borehole and mount the bollard.
 Place the 3/8" screw/flat washer and tighten with a 9/16" socket wrench.

DONE!

-  21 v Ø 3/8" x 5.9" Hex Head Ultrafix Screw
-  3/8" Flat Washer
-  Drilling on the base
-  Ø 0.7" x 5.5" Extralarge Anchors
-  Borehole in concrete