

Stainless Steel Kira Bollard

Code: BO-KIR-INOX-F / BO-KIR-INOX-A



FIXED
BOLLARD



FLEXIBLE
BOLLARD

Features

- Kira bollard of stainless steel is a harmonious, flashing and fine solution to delineate public spaces and road safety, available in two versions: fixed and flexible.
- **Fixed:** Stainless steel base anchored to floor, designed to provide a permanent delineation without movement, ideal for areas where is required a constant stability.
- **Flexible:** ABS base anchored to floor and equipped with inner system that allow bollard to tilt if hit, recovering automatically its vertical position after being run over. This version is ideal for transit areas where is necessary the flexibility and resistance to impacts.
- It charges during day and turns ON automatically during night; silver ring to stand out the design of the bollard, adding a sophisticated touch.
- Cap composed by transparent acrylic to diffuse light.
- High resistance to humidity conditions, ideal for diverse climate conditions.

LUMINOUS SYSTEM

- **Solar cell:** 85 mm
- **Battery:** Lithium polymer
- **LED:** 12 ultra bright
- **Available color:** Amber, white and red
- **Light type:** Flashing
- **Synchronization Options:** Bollards can synchronize for a coordinated lighting.
- **Durability:** High resistance to humidity conditions, designed to withstand extreme temperature changes.

A leader doesn't follow
marks the way...

WHAT BOLLARDS ARE?

Prevention and warning solar devices placed strategically to avoid motorists invade public spaces intended for pedestrians, separating the sidewalk of the road.

Perfect to improve visibility at night, contributing to safety in public spaces and roads.

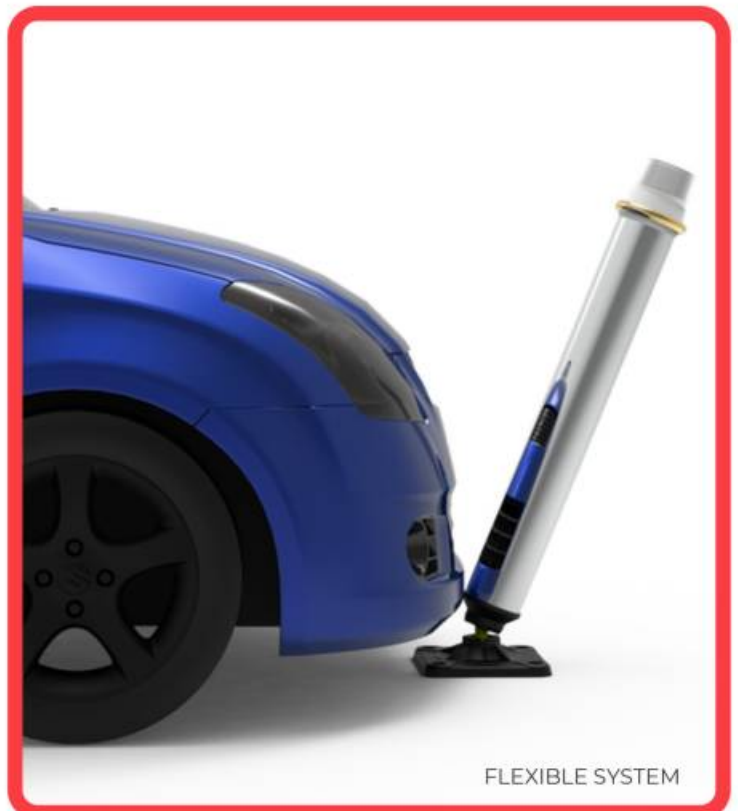
This bollard is an effective solution, a clear and visible barrier that ease transit organization and protect all road users.

Manufactured in 11-gauge stainless steel.

The design incorporates a solar lamp that improves night visibility, and a golden ring that stands out the modern aesthetic.

Combines functionality, resistance and visibility, offering an efficient solution for the organization and safety.

Designed to offer robustness and visibility, this bollard adapts to diverse safety and signage needs.



FLEXIBLE SYSTEM

Stainless Steel Kira Bollard

Code: BO-KIR-INOX-F / BO-KIR-INOX-A

Measures are nominal and may vary by +/- 2%.

Dimensions in: **in**

Measurements

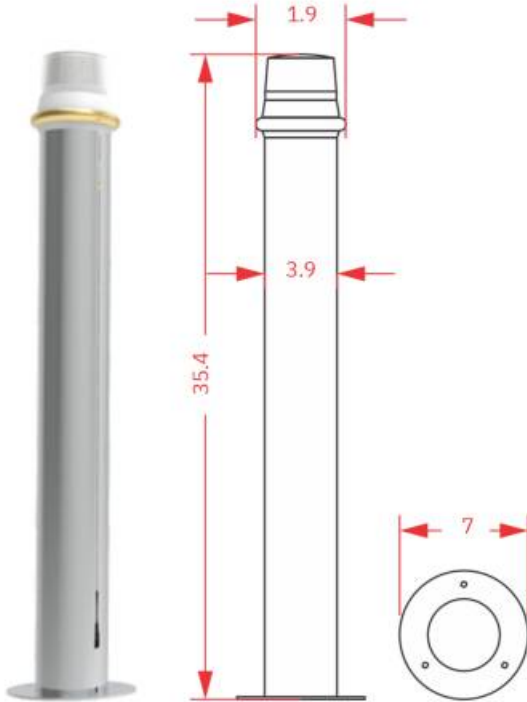
Fixed

Body Diameter: 4.00" (10.16 cm)
Base Diameter: 7.0" (18.0 cm)
Total Height: 35.4" (90.0 cm)

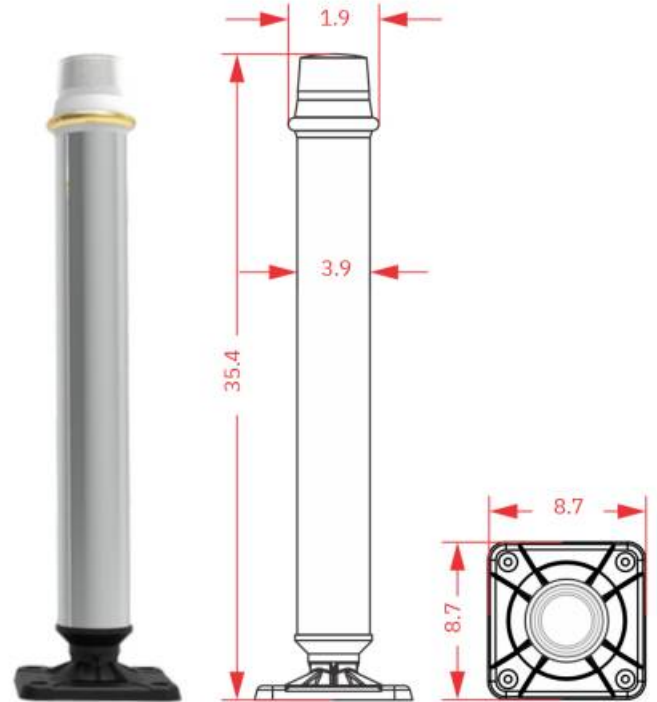
Reboundable

Body Diameter: 4.00" (10.16 cm)
Base: 8.7 x 8.7" (22.3 x 22.3 cm)
Total Height: 35.4" (90.0 cm)

FIXED BOLLARD



FLEXIBLE BOLLARD



Anchoring

21 v Ø 3/8" x 5.9"
Hex Head Ultrafix
Screw

Ø 0.7" x 5.5"
Extralarge Anchors

Anchoring System

Mark the boreholes where the bollards will be placed.

Drill the boreholes with a 3/4" drill bit for concrete to a 7" depth.

Insert the extralarge anchors in every borehole and mount the bollard.

Place the 3/8" screw/flat washer and tighten with a 9/16" socket wrench.

DONE!

