

Stainless Steel Athena Bollard

Code: BO-AT-INOX-F / BO-AT-INOX-A

A leader doesn't follow
... marks the way



FIXED
BOLLARD

FLEXIBLE
BOLLARD

Features

- Athena bollard of stainless steel is a harmonious, flashing and fine solution to delineate public spaces and road safety, available in two versions: fixed and flexible.
- **Fixed:** Stainless steel base anchored to floor, designed to provide a permanent delineation without movement, ideal for areas where is required a constant stability.
- **Flexible:** ABS base anchored to floor and equipped with inner system that allow bollard to tilt if hit, recovering automatically its vertical position after being run over. This version is ideal for transit areas where is necessary the flexibility and resistance to impacts.
- Cap composed by translucent white polyethylene with cover in stainless steel.
- It charges during day and turns ON automatically during night; silver ring to stand out the design of the bollard, adding a sophisticated touch.

LUMINOUS SYSTEM

- Solar cell: 85 mm
- Battery: Lithium polymer
- LED: 12 ultra bright
- Available color: Amber, white and red
- Light type: Flashing
- Synchronization Options: Bollards can synchronize for a coordinated lighting.
- Durability: High resistance to humidity conditions, designed to withstand extreme temperature changes.

WHAT BOLLARDS ARE?

Solar device of prevention and warning, placed strategically to avoid invade public spaces intended for pedestrians, separating sidewalk and road.

The intelligent design ensure a high visibility and attract the attention of users.

This bollard is an effective solution, providing a clear and visible barrier that eases the transit organization, and protect all the road users.

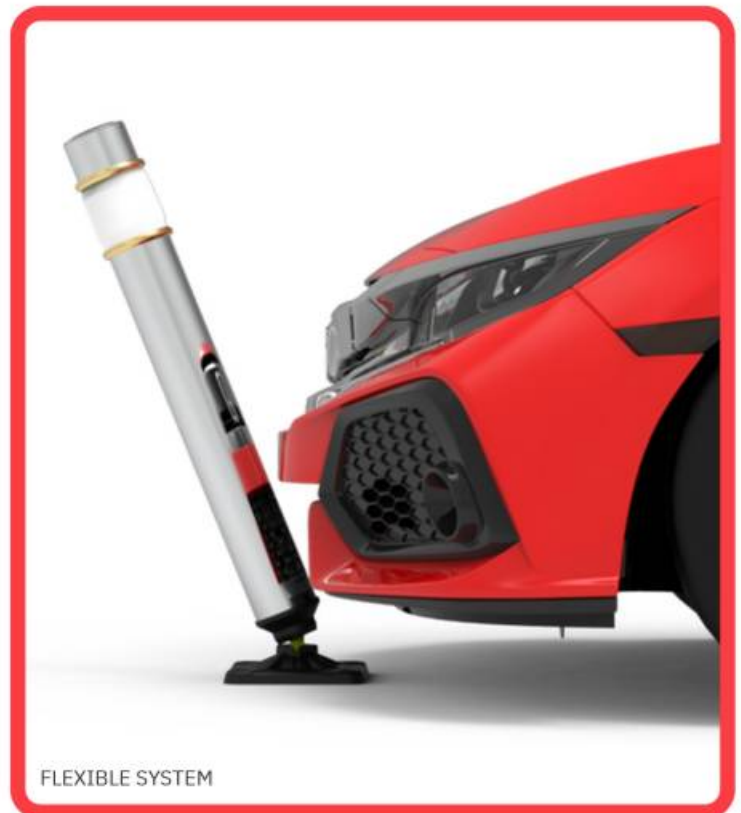
This bollard is an effective solution, providing a clear and visible barrier that ease the transit organization and protect all road users.

Post manufactured in 11-gauge stainless steel, natural color.

The design incorporates a cap that improve night visibility and two golden rings that stand out the modern aesthetic.

Combines functionality, resistance and visibility, offering an efficient solution for organization and safety.

Excellent for government esplanades, as malls, hospitals, entrance of hotels, airports and others.



FLEXIBLE SYSTEM

Stainless Steel Athena Bollard

Código: BO-AT-INOX-F / BO-AT-INOX-A

Measures are nominal and may vary by +/- 2%.

Dimensions in: in

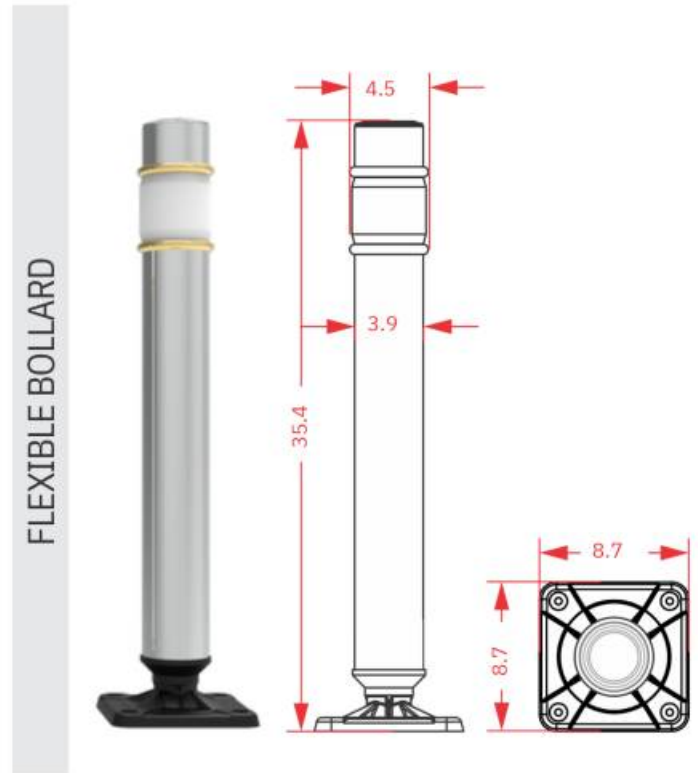
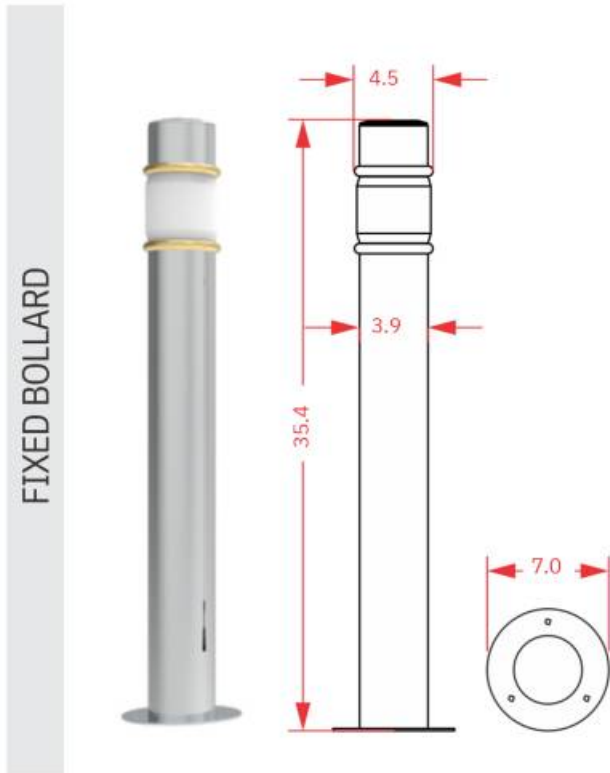
Measurements

Fixed

Body Diameter: 4.00" (10.16 cm)
Base Diameter: 7.0" (18.0 cm)
Total Height: 35.4" (90.0 cm)

Flexible

Body Diameter: 4.00" (10.16 cm)
Base: 8.7 x 8.7" (22.3 x 22.3 cm)
Total Height: 35.4" (90.0 cm)



Anchoring
 - 21 v Ø 3/8" x 5.9"
 Hex Head Ultrafix Screw
 - Ø 0.7" x 5.5"
 Extralarge Anchors

Anchoring System

Mark the boreholes where the bollards will be placed.
 Drill the boreholes with a 3/4" drill bit for concrete to a 7" depth.
 Insert the extralarge anchors in every borehole and mount the bollard.
 Place the 3/8" screw/flat washer and tighten with a 9/16" socket wrench.

DONE!

